

AC Motor- Run Capacitor Hardware and Accessories

OVAL BRACKET OPTIONS

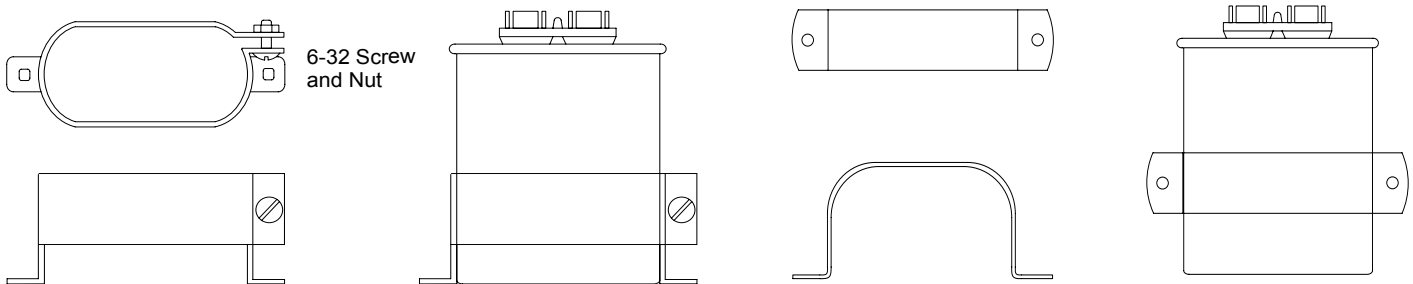
Used for the support of Oval Cased Motor Run Capacitors, Types SFA, SFC, SFD, 32F, 37F, 38F

Universal Wrap Around Bracket

Case Code		Bracket
32	A	32107-1
37	C	32107-2
38	D	32107-3

Wrap Around Bracket

Case Code		Bracket	
32	A	30393-5	OB2
37	C	30393-9	OB4
38	D	OB3	OB3



ROUND BRACKET OPTIONS

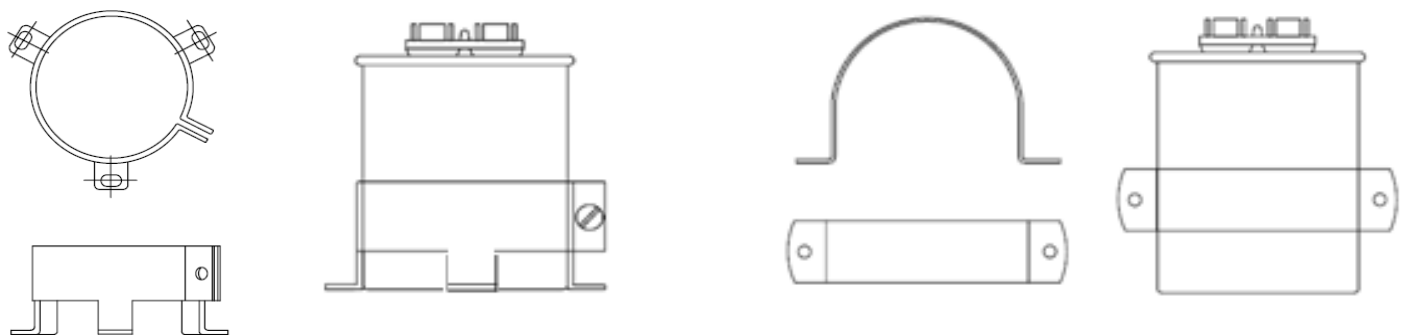
Used for the support of Round Motor Run Capacitors, Types SFP, SFS, SFT, 21F, 23F, 24F

3 Footed Round Mounting Bracket

Case Code		Bracket
21	P	VR6B
23	S	VR8B
24	T	VR10B

Wrap Around Bracket

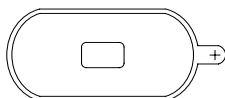
Case Code		Bracket
21	P	RB175
23	S	RB200
24	T	RB250



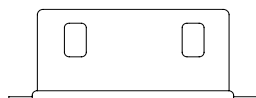
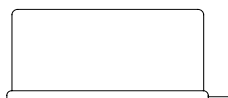
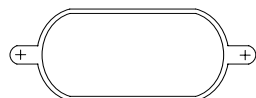
ACCESSORIES FOR MOTOR RUN CAPACITORS

Insulating Terminal Boots UL Approved Material

44603 or OC1



32108-2



ACR220KT Motor Run Resistor Kit



220K Ohm 1 watt bleeder resistors for AC motor run applications. Saves relay switch contacts and capacitor, particularly in capacitor run applications. 1/4" quick connect terminals eliminate need for soldering.

ACR220K:

Pack of 10, 220K Ohm 1 watt bleeder resistor without quick connect terminals.

RoHS Compliant

All brackets and hardware are RoHS Compliant