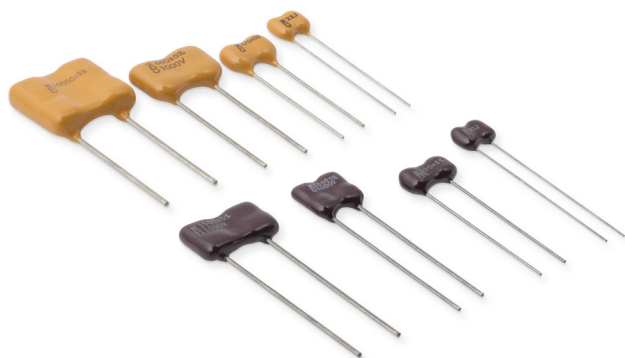


# Mica Capacitors, Standard Dipped

Types CD10, D10, CD15, CD19, CD30, CD42, CDV19, CDV30



Stability and mica go hand-in-hand when you need to count on stable capacitance over a wide temperature range. CDE's standard dipped silvered mica capacitors are the first choice for timing and close tolerance applications. These standard types are widely available through distribution.

## Highlights

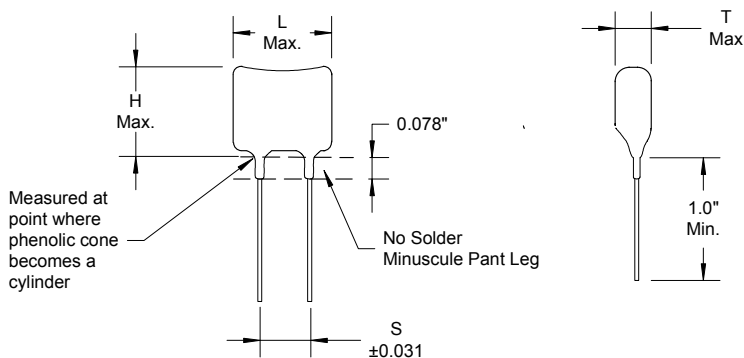
- Reel packaging available
- High temperature – up to +150 °C
- Dimensions meet EIA RS153B specification
- 100,000 V/μs dV/dt pulse capability minimum
- Non-flammable units that meet IEC 695-2-2 are available

## Specifications

|                             |  |
|-----------------------------|--|
| Capacitance Range           | 1 pF to 91,000 pF  |
| Capacitance Tolerance       | ±1/2 pF (D), ±1 pF (C), ±1/2% (E), ±1% (F), ±2% (G), ±5% (J) |
| Rated Voltage               | 100 Vdc to 2500 Vdc  |
| Operating Temperature Range | -55 °C to +125 °C (O) -55 °C to +150 °C (P)*                 |
| Dielectric Strength Test    | 200% of rated voltage  |
| RoHS Compliant              |  |

\* P temperature range available for types CD10, CD15, CD19, CD30 and CD42

## Dimensions

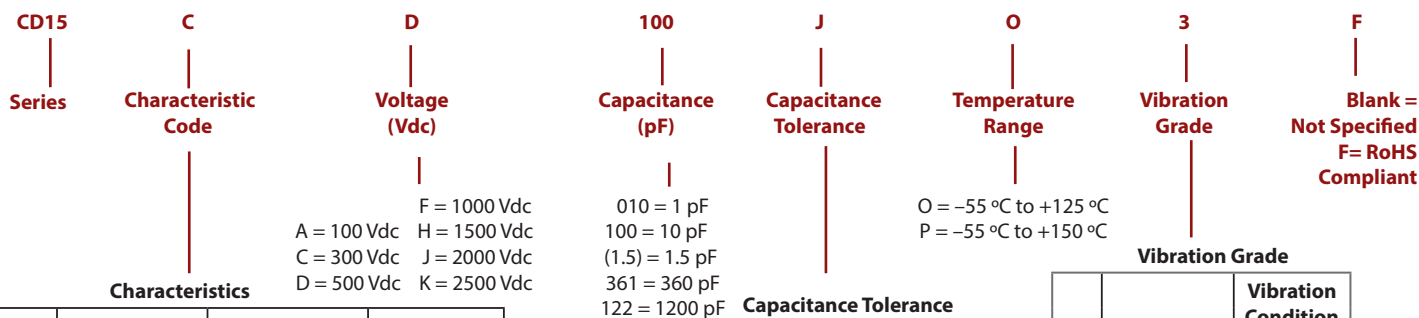


| Construction Details |  |
|----------------------|--|
| Case Material        | Epoxy  |
| Terminal Material    | Copper clad steel, nickle undercoat, 100% tin finish |

## Ordering Information

Order by complete part number as below. For other options, write your requirements on your purchase order or request for quotation.

## Part Numbering System (Radial-Leaded Silvered Mica Capacitors, except D10\*)



| Code | Temp. Coeff. ppm/ °C | Capacitance Drift | Standard Cap. Range |
|------|----------------------|-------------------|---------------------|
| C    | -200 to +200         | ±(0.5% + 0.1 pF)  | 1–18 pF             |
| E    | -20 to +100          | ±(0.1% + 0.1 pF)  | 20–82 pF            |
| F    | 0 to +70             | ±(0.05% + 0.1 pF) | 91 pF and up        |

| Tol. Code | Tolerance | Capacitance Range |
|-----------|-----------|-------------------|
| C         | ±1 pF     | 1–9 pF            |
| D         | ±1/2 pF   | 1–99 pF           |
| E         | ±1/2 %    | 100 pF and up     |
| F         | ±1 %      | 50 pF and up      |
| G         | ±2 %      | 25 pF and up      |
| H         | ±3 %      | 18 pF and up      |
| J         | ±5 %      | 10 pF and up      |

| No. | MIL-STD-202            | Vibration Condition (Hz) |
|-----|------------------------|--------------------------|
| 3   | Method 204 Condition D | 10 to 2,000              |

## Options Available

- Non-flammable units per IEC 695-2-2 are available for standard dipped capacitors. Specify IEC 695-2-2 on your order.
- Tape and reeling, specify per application guide.

Standard tolerance is ±1/2 pF for less than 10 pF and ±5% for 10 pF and up

\* Order type D10 using the catalog numbers shown in ratings tables.

# Mica Capacitors, Standard Dipped

Types CD10, D10, CD15, CD19, CD30, CD42, CDV19, CDV30

## Ratings

| Cap<br>(pF) | Volts<br>(Vdc) | Catalog<br>Part Number | L<br>in (mm) | H<br>in (mm) | T<br>in (mm) | S<br>in (mm) | d<br>in (mm) |
|-------------|----------------|------------------------|--------------|--------------|--------------|--------------|--------------|
| 1           | 500            | CD10CD010DO3F          | 0.36 (9.1)   | 0.33 (8.4)   | 0.19 (4.8)   | 0.141 (3.6)  | 0.016 (.4)   |
| 1           | 500            | CD15CD010DO3F          | 0.45 (11.4)  | 0.36 (9.1)   | 0.17 (4.3)   | 0.234 (5.9)  | 0.025 (.6)   |
| 2           | 500            | CD10CD020DO3F          | 0.36 (9.1)   | 0.33 (8.4)   | 0.19 (4.8)   | 0.141 (3.6)  | 0.016 (.4)   |
| 2           | 500            | CD15CD020DO3F          | 0.45 (11.4)  | 0.36 (9.1)   | 0.17 (4.3)   | 0.234 (5.9)  | 0.025 (.6)   |
| 3           | 500            | CD10CD030DO3F          | 0.36 (9.1)   | 0.33 (8.4)   | 0.19 (4.8)   | 0.141 (3.6)  | 0.016 (.4)   |
| 3           | 500            | CD15CD030DO3F          | 0.45 (11.4)  | 0.36 (9.1)   | 0.17 (4.3)   | 0.234 (5.9)  | 0.025 (.6)   |
| 5           | 500            | CD10CD050DO3F          | 0.36 (9.1)   | 0.33 (8.4)   | 0.19 (4.8)   | 0.141 (3.6)  | 0.016 (.4)   |
| 5           | 500            | CD15CD050DO3F          | 0.45 (11.4)  | 0.36 (9.1)   | 0.17 (4.3)   | 0.234 (5.9)  | 0.025 (.6)   |
| 5           | 1000           | CDV19CF050DO3F         | 0.64 (16.3)  | 0.50 (12.7)  | 0.19 (4.8)   | 0.344 (8.7)  | 0.032 (.8)   |
| 7           | 500            | CD10CD070DO3F          | 0.36 (9.1)   | 0.33 (8.4)   | 0.19 (4.8)   | 0.141 (3.6)  | 0.016 (.4)   |
| 7           | 500            | CD15CD070DO3F          | 0.45 (11.4)  | 0.36 (9.1)   | 0.17 (4.3)   | 0.234 (5.9)  | 0.025 (.6)   |
| 7           | 1000           | CDV19CF070DO3F         | 0.64 (16.3)  | 0.50 (12.7)  | 0.19 (4.8)   | 0.344 (8.7)  | 0.032 (.8)   |
| 10          | 500            | CD10CD100JO3F          | 0.36 (9.1)   | 0.33 (8.4)   | 0.19 (4.8)   | 0.141 (3.6)  | 0.016 (.4)   |
| 10          | 500            | CD15CD100JO3F          | 0.45 (11.4)  | 0.36 (9.1)   | 0.17 (4.3)   | 0.234 (5.9)  | 0.025 (.6)   |
| 10          | 1000           | CDV19CF100JO3F         | 0.64 (16.3)  | 0.50 (12.7)  | 0.19 (4.8)   | 0.344 (8.7)  | 0.032 (.8)   |
| 12          | 500            | CD10CD120JO3F          | 0.36 (9.1)   | 0.33 (8.4)   | 0.19 (4.8)   | 0.141 (3.6)  | 0.016 (.4)   |
| 12          | 500            | CD15CD120JO3F          | 0.45 (11.4)  | 0.36 (9.1)   | 0.17 (4.3)   | 0.234 (5.9)  | 0.025 (.6)   |
| 12          | 1000           | CDV19CF120JO3F         | 0.64 (16.3)  | 0.50 (12.7)  | 0.19 (4.8)   | 0.344 (8.7)  | 0.032 (.8)   |
| 15          | 500            | CD10CD150JO3F          | 0.36 (9.1)   | 0.33 (8.4)   | 0.19 (4.8)   | 0.141 (3.6)  | 0.016 (.4)   |
| 15          | 500            | CD15CD150JO3F          | 0.45 (11.4)  | 0.36 (9.1)   | 0.17 (4.3)   | 0.234 (5.9)  | 0.025 (.6)   |
| 15          | 1000           | CDV19CF150JO3F         | 0.64 (16.3)  | 0.50 (12.7)  | 0.19 (4.8)   | 0.344 (8.7)  | 0.032 (.8)   |
| 18          | 500            | CD10CD180JO3F          | 0.36 (9.1)   | 0.33 (8.4)   | 0.19 (4.8)   | 0.141 (3.6)  | 0.016 (.4)   |
| 18          | 500            | CD15CD180JO3F          | 0.45 (11.4)  | 0.36 (9.1)   | 0.17 (4.3)   | 0.234 (5.9)  | 0.025 (.6)   |
| 18          | 1000           | CDV19CF180JO3F         | 0.64 (16.3)  | 0.50 (12.7)  | 0.19 (4.8)   | 0.344 (8.7)  | 0.032 (.8)   |
| 22          | 500            | CD10ED220JO3F          | 0.36 (9.1)   | 0.33 (8.4)   | 0.19 (4.8)   | 0.141 (3.6)  | 0.016 (.4)   |
| 22          | 500            | CD15ED220JO3F          | 0.45 (11.4)  | 0.36 (9.1)   | 0.17 (4.3)   | 0.234 (5.9)  | 0.025 (.6)   |
| 22          | 1000           | CDV19EF220JO3F         | 0.64 (16.3)  | 0.50 (12.7)  | 0.19 (4.8)   | 0.344 (8.7)  | 0.032 (.8)   |
| 27          | 500            | CD10ED270JO3F          | 0.37 (9.4)   | 0.33 (8.4)   | 0.19 (4.8)   | 0.141 (3.6)  | 0.016 (.4)   |
| 27          | 500            | CD15ED270JO3F          | 0.45 (11.4)  | 0.36 (9.1)   | 0.17 (4.3)   | 0.234 (5.9)  | 0.025 (.6)   |
| 27          | 1000           | CDV19EF270JO3F         | 0.64 (16.3)  | 0.50 (12.7)  | 0.19 (4.8)   | 0.344 (8.7)  | 0.032 (.8)   |
| 27          | 1500           | CDV30EH270JO3F         | 0.77 (19.6)  | 0.85 (21.6)  | 0.25 (6.4)   | 0.438 (11.1) | 0.040 (1.0)  |
| 27          | 2000           | CDV30EJ270JO3F         | 0.77 (19.6)  | 0.86 (21.8)  | 0.25 (6.4)   | 0.438 (11.1) | 0.040 (1.0)  |
| 27          | 2500           | CDV30EK270JO3F         | 0.78 (19.8)  | 0.86 (21.8)  | 0.25 (6.4)   | 0.438 (11.1) | 0.040 (1.0)  |
| 33          | 500            | CD10ED330JO3F          | 0.37 (9.4)   | 0.34 (8.6)   | 0.19 (4.8)   | 0.141 (3.6)  | 0.016 (.4)   |
| 33          | 500            | CD15ED330JO3F          | 0.45 (11.4)  | 0.36 (9.1)   | 0.17 (4.3)   | 0.234 (5.9)  | 0.025 (.6)   |
| 33          | 1000           | CDV19EF330JO3F         | 0.64 (16.3)  | 0.50 (12.7)  | 0.19 (4.8)   | 0.344 (8.7)  | 0.032 (.8)   |
| 33          | 1500           | CDV30EH330JO3F         | 0.77 (19.6)  | 0.85 (21.6)  | 0.25 (6.4)   | 0.438 (11.1) | 0.040 (1.0)  |
| 33          | 2000           | CDV30EJ330JO3F         | 0.77 (19.6)  | 0.86 (21.8)  | 0.25 (6.4)   | 0.438 (11.1) | 0.040 (1.0)  |
| 33          | 2500           | CDV30EK330JO3F         | 0.78 (19.8)  | 0.86 (21.8)  | 0.25 (6.4)   | 0.438 (11.1) | 0.040 (1.0)  |
| 39          | 500            | CD10ED390JO3F          | 0.37 (9.4)   | 0.34 (8.6)   | 0.19 (4.8)   | 0.141 (3.6)  | 0.016 (.4)   |
| 39          | 500            | CD15ED390JO3F          | 0.45 (11.4)  | 0.36 (9.1)   | 0.17 (4.3)   | 0.234 (5.9)  | 0.025 (.6)   |
| 39          | 1000           | CDV19EF390JO3F         | 0.64 (16.3)  | 0.50 (12.7)  | 0.19 (4.8)   | 0.344 (8.7)  | 0.032 (.8)   |
| 39          | 1500           | CDV30EH390JO3F         | 0.77 (19.6)  | 0.85 (21.6)  | 0.25 (6.4)   | 0.438 (11.1) | 0.040 (1.0)  |
| 39          | 2000           | CDV30EJ390JO3F         | 0.77 (19.6)  | 0.86 (21.8)  | 0.25 (6.4)   | 0.438 (11.1) | 0.040 (1.0)  |

# Mica Capacitors, Standard Dipped

Types CD10, D10, CD15, CD19, CD30, CD42, CDV19, CDV30

| Cap<br>(pF) | Volts<br>(Vdc) | Catalog<br>Part Number | L<br>in (mm) | H<br>in (mm) | T<br>in (mm) | S<br>in (mm) | d<br>in (mm) |
|-------------|----------------|------------------------|--------------|--------------|--------------|--------------|--------------|
| 39          | 2500           | CDV30EK390JO3F         | 0.78 (19.8)  | 0.86 (21.8)  | 0.25 (6.4)   | 0.438 (11.1) | 0.040 (1.0)  |
| 47          | 500            | CD10ED470JO3F          | 0.37 (9.4)   | 0.34 (8.6)   | 0.19 (4.8)   | 0.141 (3.6)  | 0.016 (.4)   |
| 47          | 500            | CD15ED470JO3F          | 0.45 (11.4)  | 0.36 (9.1)   | 0.17 (4.3)   | 0.234 (5.9)  | 0.025 (.6)   |
| 47          | 1000           | CDV19EF470JO3F         | 0.64 (16.3)  | 0.50 (12.7)  | 0.19 (4.8)   | 0.344 (8.7)  | 0.032 (.8)   |
| 47          | 1500           | CDV30EH470JO3F         | 0.77 (19.6)  | 0.85 (21.6)  | 0.25 (6.4)   | 0.438 (11.1) | 0.040 (1.0)  |
| 47          | 2000           | CDV30EJ470JO3F         | 0.77 (19.6)  | 0.86 (21.8)  | 0.25 (6.4)   | 0.438 (11.1) | 0.040 (1.0)  |
| 47          | 2500           | CDV30EK470JO3F         | 0.78 (19.8)  | 0.86 (21.8)  | 0.25 (6.4)   | 0.438 (11.1) | 0.040 (1.0)  |
| 56          | 500            | CD10ED560JO3F          | 0.37 (9.4)   | 0.34 (8.6)   | 0.19 (4.8)   | 0.141 (3.6)  | 0.016 (.4)   |
| 56          | 500            | CD15ED560JO3F          | 0.45 (11.4)  | 0.36 (9.1)   | 0.17 (4.3)   | 0.234 (5.9)  | 0.025 (.6)   |
| 56          | 1000           | CDV19EF560JO3F         | 0.64 (16.3)  | 0.50 (12.7)  | 0.19 (4.8)   | 0.344 (8.7)  | 0.032 (.8)   |
| 56          | 1500           | CDV30EH560JO3F         | 0.77 (19.6)  | 0.85 (21.6)  | 0.25 (6.4)   | 0.438 (11.1) | 0.040 (1.0)  |
| 56          | 2500           | CDV30EK560JO3F         | 0.78 (19.8)  | 0.86 (21.8)  | 0.25 (6.4)   | 0.438 (11.1) | 0.040 (1.0)  |
| 68          | 500            | CD10ED680JO3F          | 0.37 (9.4)   | 0.34 (8.6)   | 0.19 (4.8)   | 0.141 (3.6)  | 0.016 (.4)   |
| 68          | 500            | CD15ED680JO3F          | 0.45 (11.4)  | 0.36 (9.1)   | 0.18 (4.6)   | 0.234 (5.9)  | 0.025 (.6)   |
| 68          | 1000           | CDV19EF680JO3F         | 0.64 (16.3)  | 0.50 (12.7)  | 0.19 (4.8)   | 0.344 (8.7)  | 0.032 (.8)   |
| 68          | 1500           | CDV30EH680JO3F         | 0.77 (19.6)  | 0.85 (21.6)  | 0.25 (6.4)   | 0.438 (11.1) | 0.040 (1.0)  |
| 68          | 2000           | CDV30EJ680JO3F         | 0.77 (19.6)  | 0.86 (21.8)  | 0.25 (6.4)   | 0.438 (11.1) | 0.040 (1.0)  |
| 68          | 2500           | CDV30EK680JO3F         | 0.78 (19.8)  | 0.86 (21.8)  | 0.25 (6.4)   | 0.438 (11.1) | 0.040 (1.0)  |
| 82          | 500            | CD10ED820JO3F          | 0.37 (9.4)   | 0.35 (8.9)   | 0.20 (5.1)   | 0.141 (3.6)  | 0.016 (.4)   |
| 82          | 500            | CD15ED820JO3F          | 0.45 (11.4)  | 0.36 (9.1)   | 0.18 (4.6)   | 0.234 (5.9)  | 0.025 (.6)   |
| 82          | 1000           | CDV19EF820JO3F         | 0.64 (16.3)  | 0.50 (12.7)  | 0.19 (4.8)   | 0.344 (8.7)  | 0.032 (.8)   |
| 82          | 1500           | CDV30EH820JO3F         | 0.77 (19.6)  | 0.85 (21.6)  | 0.25 (6.4)   | 0.438 (11.1) | 0.040 (1.0)  |
| 82          | 2000           | CDV30EJ820JO3F         | 0.77 (19.6)  | 0.86 (21.8)  | 0.25 (6.4)   | 0.438 (11.1) | 0.040 (1.0)  |
| 82          | 2500           | CDV30EK820JO3F         | 0.78 (19.8)  | 0.86 (21.8)  | 0.25 (6.4)   | 0.438 (11.1) | 0.040 (1.0)  |
| 100         | 500            | CD10FD101JO3F          | 0.37 (9.4)   | 0.35 (8.9)   | 0.20 (5.1)   | 0.141 (3.6)  | 0.016 (.4)   |
| 100         | 500            | CD15FD101JO3F          | 0.46 (11.7)  | 0.36 (9.1)   | 0.18 (4.6)   | 0.234 (5.9)  | 0.025 (.6)   |
| 100         | 500            | CD19FD101JO3F          | 0.64 (16.3)  | 0.50 (12.7)  | 0.19 (4.8)   | 0.344 (8.7)  | 0.032 (.8)   |
| 100         | 1000           | CDV19FF101JO3F         | 0.64 (16.3)  | 0.50 (12.7)  | 0.19 (4.8)   | 0.344 (8.7)  | 0.032 (.8)   |
| 100         | 1500           | CDV30FH101JO3F         | 0.77 (19.6)  | 0.85 (21.6)  | 0.25 (6.4)   | 0.438 (11.1) | 0.040 (1.0)  |
| 100         | 2000           | CDV30FJ101JO3F         | 0.77 (19.6)  | 0.86 (21.8)  | 0.25 (6.4)   | 0.438 (11.1) | 0.040 (1.0)  |
| 100         | 2500           | CDV30FK101JO3F         | 0.78 (19.8)  | 0.86 (21.8)  | 0.25 (6.4)   | 0.438 (11.1) | 0.040 (1.0)  |
| 120         | 500            | CD10FD121JO3F          | 0.38 (9.7)   | 0.35 (8.9)   | 0.20 (5.1)   | 0.141 (3.6)  | 0.016 (.4)   |
| 120         | 500            | CD15FD121JO3F          | 0.46 (11.7)  | 0.37 (9.4)   | 0.18 (4.6)   | 0.234 (5.9)  | 0.025 (.6)   |
| 120         | 500            | CD19FD121JO3F          | 0.64 (16.3)  | 0.50 (12.7)  | 0.19 (4.8)   | 0.344 (8.7)  | 0.032 (.8)   |
| 120         | 1000           | CDV19FF121JO3F         | 0.64 (16.3)  | 0.50 (12.7)  | 0.19 (4.8)   | 0.344 (8.7)  | 0.032 (.8)   |
| 120         | 1500           | CDV30FH121JO3F         | 0.77 (19.6)  | 0.85 (21.6)  | 0.25 (6.4)   | 0.438 (11.1) | 0.040 (1.0)  |
| 120         | 2000           | CDV30FJ121JO3F         | 0.77 (19.6)  | 0.86 (21.8)  | 0.25 (6.4)   | 0.438 (11.1) | 0.040 (1.0)  |
| 120         | 2500           | CDV30FK121JO3F         | 0.78 (19.8)  | 0.86 (21.8)  | 0.25 (6.4)   | 0.438 (11.1) | 0.040 (1.0)  |
| 150         | 500            | CD10FD151JO3F          | 0.38 (9.7)   | 0.36 (9.1)   | 0.21 (5.3)   | 0.141 (3.6)  | 0.016 (.4)   |
| 150         | 500            | CD15FD151JO3F          | 0.46 (11.7)  | 0.37 (9.4)   | 0.19 (4.8)   | 0.234 (5.9)  | 0.025 (.6)   |
| 150         | 500            | CD19FD151JO3F          | 0.64 (16.3)  | 0.50 (12.7)  | 0.19 (4.8)   | 0.344 (8.7)  | 0.032 (.8)   |
| 150         | 1000           | CDV19FF151JO3F         | 0.64 (16.3)  | 0.50 (12.7)  | 0.19 (4.8)   | 0.344 (8.7)  | 0.032 (.8)   |
| 150         | 1500           | CDV30FH151JO3F         | 0.77 (19.6)  | 0.85 (21.6)  | 0.25 (6.4)   | 0.438 (11.1) | 0.040 (1.0)  |
| 150         | 2000           | CDV30FJ151JO3F         | 0.77 (19.6)  | 0.86 (21.8)  | 0.25 (6.4)   | 0.438 (11.1) | 0.040 (1.0)  |

# Mica Capacitors, Standard Dipped

## Types CD10, D10, CD15, CD19, CD30, CD42, CDV19, CDV30

| Cap<br>(pF) | Volts<br>(Vdc) | Catalog<br>Part Number | L<br>in (mm) | H<br>in (mm) | T<br>in (mm) | S<br>in (mm) | d<br>in (mm) |
|-------------|----------------|------------------------|--------------|--------------|--------------|--------------|--------------|
| 180         | 500            | CD10FD181JO3F          | 0.39 (9.9)   | 0.37 (9.4)   | 0.21 (5.3)   | 0.141 (3.6)  | 0.016 (.4)   |
| 180         | 500            | CD15FD181JO3F          | 0.46 (11.7)  | 0.37 (9.4)   | 0.19 (4.8)   | 0.234 (5.9)  | 0.025 (.6)   |
| 180         | 500            | CD19FD181JO3F          | 0.64 (16.3)  | 0.50 (12.7)  | 0.19 (4.8)   | 0.344 (8.7)  | 0.032 (.8)   |
| 180         | 1000           | CDV19FF181JO3F         | 0.64 (16.3)  | 0.50 (12.7)  | 0.19 (4.8)   | 0.344 (8.7)  | 0.032 (.8)   |
| 180         | 1500           | CDV30FH181JO3F         | 0.77 (19.6)  | 0.85 (21.6)  | 0.25 (6.4)   | 0.438 (11.1) | 0.040 (1.0)  |
| 180         | 2000           | CDV30FJ181JO3F         | 0.77 (19.6)  | 0.86 (21.8)  | 0.25 (6.4)   | 0.438 (11.1) | 0.040 (1.0)  |
| 220         | 500            | CD10FD221JO3F          | 0.39 (9.9)   | 0.38 (9.7)   | 0.22 (5.6)   | 0.141 (3.6)  | 0.016 (.4)   |
| 220         | 500            | CD15FD221JO3F          | 0.46 (11.7)  | 0.38 (9.7)   | 0.20 (5.1)   | 0.234 (5.9)  | 0.025 (.6)   |
| 220         | 500            | CD19FD221JO3F          | 0.64 (16.3)  | 0.50 (12.7)  | 0.19 (4.8)   | 0.344 (8.7)  | 0.032 (.8)   |
| 220         | 1000           | CDV19FF221JO3F         | 0.64 (16.3)  | 0.50 (12.7)  | 0.19 (4.8)   | 0.344 (8.7)  | 0.032 (.8)   |
| 220         | 1500           | CDV30FH221JO3F         | 0.77 (19.6)  | 0.85 (21.6)  | 0.25 (6.4)   | 0.438 (11.1) | 0.040 (1.0)  |
| 220         | 2000           | CDV30FJ221JO3F         | 0.77 (19.6)  | 0.86 (21.8)  | 0.25 (6.4)   | 0.438 (11.1) | 0.040 (1.0)  |
| 270         | 300            | CD10FC271JO3F          | 0.39 (9.9)   | 0.38 (9.7)   | 0.22 (5.6)   | 0.141 (3.6)  | 0.016 (.4)   |
| 270         | 500            | CD19FD271JO3F          | 0.64 (16.3)  | 0.50 (12.7)  | 0.19 (4.8)   | 0.344 (8.7)  | 0.032 (.8)   |
| 270         | 500            | D105F271JO3F           | 0.39 (9.9)   | 0.38 (9.7)   | 0.22 (5.6)   | 0.141 (3.6)  | 0.016 (.4)   |
| 270         | 500            | CD15FD271JO3F          | 0.47 (11.9)  | 0.39 (9.9)   | 0.21 (5.3)   | 0.234 (5.9)  | 0.025 (.6)   |
| 270         | 1000           | CDV19FF271JO3F         | 0.64 (16.3)  | 0.50 (12.7)  | 0.19 (4.8)   | 0.344 (8.7)  | 0.032 (.8)   |
| 270         | 1500           | CDV30FH271JO3F         | 0.77 (19.6)  | 0.85 (21.6)  | 0.25 (6.4)   | 0.438 (11.1) | 0.040 (1.0)  |
| 270         | 2000           | CDV30FJ271JO3F         | 0.77 (19.6)  | 0.86 (21.8)  | 0.25 (6.4)   | 0.438 (11.1) | 0.040 (1.0)  |
| 330         | 100            | CD10FA331JO3F          | 0.39 (9.9)   | 0.37 (9.4)   | 0.22 (5.6)   | 0.141 (3.6)  | 0.016 (.4)   |
| 330         | 500            | D105F331JO3F           | 0.39 (9.9)   | 0.38 (9.7)   | 0.22 (5.6)   | 0.141 (3.6)  | 0.016 (.4)   |
| 330         | 500            | CD15FD331JO3F          | 0.47 (11.9)  | 0.39 (9.9)   | 0.21 (5.3)   | 0.234 (5.9)  | 0.025 (.6)   |
| 330         | 500            | CD19FD331JO3F          | 0.64 (16.3)  | 0.50 (12.7)  | 0.19 (4.8)   | 0.344 (8.7)  | 0.032 (.8)   |
| 330         | 2000           | CDV30FJ331JO3F         | 0.77 (19.6)  | 0.86 (21.8)  | 0.25 (6.4)   | 0.438 (11.1) | 0.040 (1.0)  |
| 330         | 2500           | CDV30FK331JO3F         | 0.78 (19.8)  | 0.87 (22.1)  | 0.25 (6.4)   | 0.438 (11.1) | 0.040 (1.0)  |
| 390         | 100            | CD10FA391JO3F          | 0.39 (9.9)   | 0.38 (9.7)   | 0.22 (5.6)   | 0.141 (3.6)  | 0.016 (.4)   |
| 390         | 500            | D105F391JO3F           | 0.39 (9.9)   | 0.38 (9.7)   | 0.22 (5.6)   | 0.141 (3.6)  | 0.016 (.4)   |
| 390         | 500            | CD15FD391JO3F          | 0.47 (11.9)  | 0.39 (9.9)   | 0.21 (5.3)   | 0.234 (5.9)  | 0.025 (.6)   |
| 390         | 500            | CD19FD391JO3F          | 0.64 (16.3)  | 0.51 (13.0)  | 0.20 (5.1)   | 0.344 (8.7)  | 0.032 (.8)   |
| 390         | 1000           | CDV19FF391JO3F         | 0.65 (16.5)  | 0.51 (13.0)  | 0.20 (5.1)   | 0.344 (8.7)  | 0.032 (.8)   |
| 390         | 1500           | CDV30FH391JO3F         | 0.77 (19.6)  | 0.85 (21.6)  | 0.25 (6.4)   | 0.438 (11.1) | 0.040 (1.0)  |
| 470         | 500            | D105F471JO3F           | 0.39 (9.9)   | 0.38 (9.7)   | 0.22 (5.6)   | 0.141 (3.6)  | 0.016 (.4)   |
| 470         | 500            | CD15FD471JO3F          | 0.47 (11.9)  | 0.40 (10.2)  | 0.22 (5.6)   | 0.234 (5.9)  | 0.025 (.6)   |
| 470         | 500            | CD19FD471JO3F          | 0.64 (16.3)  | 0.51 (13.0)  | 0.20 (5.1)   | 0.344 (8.7)  | 0.032 (.8)   |
| 470         | 1500           | CDV30FH471JO3F         | 0.77 (19.6)  | 0.85 (21.6)  | 0.25 (6.4)   | 0.438 (11.1) | 0.040 (1.0)  |
| 470         | 2000           | CDV30FJ471JO3F         | 0.77 (19.6)  | 0.87 (22.1)  | 0.26 (6.6)   | 0.438 (11.1) | 0.040 (1.0)  |
| 470         | 2500           | CDV30FK471JO3F         | 0.78 (19.8)  | 0.87 (22.1)  | 0.27 (6.9)   | 0.438 (11.1) | 0.040 (1.0)  |
| 560         | 300            | D103F561JO3F           | 0.39 (9.9)   | 0.38 (9.7)   | 0.22 (5.6)   | 0.141 (3.6)  | 0.016 (.4)   |
| 560         | 300            | CD15FC561JO3F          | 0.46 (11.7)  | 0.38 (9.7)   | 0.21 (5.3)   | 0.234 (5.9)  | 0.025 (.6)   |
| 560         | 500            | CD19FD561JO3F          | 0.65 (16.5)  | 0.51 (13.0)  | 0.20 (5.1)   | 0.344 (8.7)  | 0.032 (.8)   |
| 560         | 1000           | CDV19FF561JO3F         | 0.65 (16.5)  | 0.51 (13.0)  | 0.21 (5.3)   | 0.344 (8.7)  | 0.032 (.8)   |
| 560         | 1500           | CDV30FH561JO3F         | 0.77 (19.6)  | 0.85 (21.6)  | 0.25 (6.4)   | 0.438 (11.1) | 0.040 (1.0)  |
| 560         | 2000           | CDV30FJ561JO3F         | 0.77 (19.6)  | 0.87 (22.1)  | 0.26 (6.6)   | 0.438 (11.1) | 0.040 (1.0)  |
| 560         | 2500           | CDV30FK561JO3F         | 0.78 (19.8)  | 0.87 (22.1)  | 0.27 (6.9)   | 0.438 (11.1) | 0.040 (1.0)  |
| 680         | 300            | D103F681JO3F           | 0.39 (9.9)   | 0.38 (9.7)   | 0.22 (5.6)   | 0.141 (3.6)  | 0.016 (.4)   |

# Mica Capacitors, Standard Dipped

## Types CD10, D10, CD15, CD19, CD30, CD42, CDV19, CDV30

| Cap<br>(pF) | Volts<br>(Vdc) | Catalog<br>Part Number | L<br>in (mm) | H<br>in (mm) | T<br>in (mm) | S<br>in (mm) | d<br>in (mm) |
|-------------|----------------|------------------------|--------------|--------------|--------------|--------------|--------------|
| 680         | 300            | CD15FC681JO3F          | 0.47 (11.9)  | 0.39 (9.9)   | 0.21 (5.3)   | 0.234 (5.9)  | 0.025 (.6)   |
| 680         | 500            | CD19FD681JO3F          | 0.65 (16.5)  | 0.51 (13.0)  | 0.21 (5.3)   | 0.344 (8.7)  | 0.032 (.8)   |
| 680         | 1000           | CDV19FF681JO3F         | 0.66 (16.8)  | 0.52 (13.2)  | 0.22 (5.6)   | 0.344 (8.7)  | 0.032 (.8)   |
| 680         | 1500           | CDV30FH681JO3F         | 0.77 (19.6)  | 0.85 (21.6)  | 0.25 (6.4)   | 0.438 (11.1) | 0.040 (1.0)  |
| 680         | 2000           | CDV30FJ681JO3F         | 0.77 (19.6)  | 0.87 (22.1)  | 0.26 (6.6)   | 0.438 (11.1) | 0.040 (1.0)  |
| 680         | 2500           | CDV30FK681JO3F         | 0.78 (19.8)  | 0.87 (22.1)  | 0.27 (6.9)   | 0.438 (11.1) | 0.040 (1.0)  |
| 820         | 300            | D103F821JO3F           | 0.39 (9.9)   | 0.38 (9.7)   | 0.22 (5.6)   | 0.141 (3.6)  | 0.016 (.4)   |
| 820         | 300            | CD15FC821JO3F          | 0.47 (11.9)  | 0.39 (9.9)   | 0.21 (5.3)   | 0.234 (5.9)  | 0.025 (.6)   |
| 820         | 500            | CD19FD821JO3F          | 0.65 (16.5)  | 0.51 (13.0)  | 0.21 (5.3)   | 0.344 (8.7)  | 0.032 (.8)   |
| 820         | 1000           | CDV19FF821JO3F         | 0.66 (16.8)  | 0.53 (13.5)  | 0.23 (5.8)   | 0.344 (8.7)  | 0.032 (.8)   |
| 820         | 1500           | CDV30FH821JO3F         | 0.77 (19.6)  | 0.85 (21.6)  | 0.25 (6.4)   | 0.438 (11.1) | 0.040 (1.0)  |
| 820         | 2000           | CDV30FJ821JO3F         | 0.77 (19.6)  | 0.87 (22.1)  | 0.26 (6.6)   | 0.438 (11.1) | 0.040 (1.0)  |
| 820         | 2500           | CDV30FK821JO3F         | 0.78 (19.8)  | 0.87 (22.1)  | 0.27 (6.9)   | 0.438 (11.1) | 0.040 (1.0)  |
| 1000        | 100            | D101F102JO3F           | 0.39 (9.9)   | 0.38 (9.7)   | 0.22 (5.6)   | 0.141 (3.6)  | 0.016 (.4)   |
| 1000        | 100            | CD15FA102JO3F          | 0.48 (12.2)  | 0.40 (10.2)  | 0.23 (5.8)   | 0.234 (5.9)  | 0.025 (.6)   |
| 1000        | 500            | CD19FD102JO3F          | 0.65 (16.5)  | 0.52 (13.2)  | 0.22 (5.6)   | 0.344 (8.7)  | 0.032 (.8)   |
| 1000        | 1000           | CDV19FF102JO3F         | 0.67 (17.0)  | 0.53 (13.5)  | 0.25 (6.4)   | 0.344 (97)   | 0.032 (.8)   |
| 1000        | 1500           | CDV30FH102JO3F         | 0.77 (19.6)  | 0.86 (21.8)  | 0.26 (6.6)   | 0.438 (11.1) | 0.040 (1.0)  |
| 1000        | 2000           | CDV30FJ102JO3F         | 0.78 (19.8)  | 0.88 (22.4)  | 0.28 (7.1)   | 0.438 (11.1) | 0.040 (1.0)  |
| 1000        | 2500           | CDV30FK102JO3F         | 0.79 (20.1)  | 0.88 (22.4)  | 0.31 (7.9)   | 0.438 (11.1) | 0.040 (1.0)  |
| 1200        | 100            | D101F122JO3F           | 0.39 (9.9)   | 0.38 (9.7)   | 0.22 (5.6)   | 0.141 (3.6)  | 0.016 (.4)   |
| 1200        | 100            | CD15FA122JO3F          | 0.49 (12.4)  | 0.42 (10.7)  | 0.24 (6.1)   | 0.234 (5.9)  | 0.025 (.6)   |
| 1200        | 500            | CD19FD122JO3F          | 0.66 (16.8)  | 0.52 (13.2)  | 0.22 (5.6)   | 0.344 (8.7)  | 0.032 (.8)   |
| 1200        | 1500           | CDV30FH122JO3F         | 0.77 (19.6)  | 0.86 (21.8)  | 0.26 (6.6)   | 0.438 (11.1) | 0.040 (1.0)  |
| 1200        | 2000           | CDV30FJ122JO3F         | 0.78 (19.8)  | 0.88 (22.4)  | 0.28 (7.1)   | 0.438 (11.1) | 0.040 (1.0)  |
| 1200        | 2500           | CDV30FK122JO3F         | 0.79 (20.1)  | 0.88 (22.4)  | 0.31 (7.9)   | 0.438 (11.1) | 0.040 (1.0)  |
| 1500        | 100            | D101F152JO3F           | 0.39 (9.9)   | 0.38 (9.7)   | 0.22 (5.6)   | 0.141 (3.6)  | 0.016 (.4)   |
| 1500        | 100            | CD15FA152JO3F          | 0.50 (12.7)  | 0.43 (10.9)  | 0.25 (6.4)   | 0.234 (5.9)  | 0.025 (.6)   |
| 1500        | 500            | CD19FD152JO3F          | 0.66 (16.8)  | 0.52 (13.2)  | 0.23 (5.8)   | 0.344 (8.7)  | 0.032 (.8)   |
| 1500        | 1000           | CDV19FF152JO3F         | 0.68 (17.3)  | 0.54 (13.7)  | 0.27 (6.9)   | 0.344 (8.7)  | 0.032 (.8)   |
| 1500        | 1500           | CDV30FH152JO3F         | 0.78 (19.8)  | 0.87 (22.1)  | 0.28 (7.1)   | 0.438 (11.1) | 0.040 (1.0)  |
| 1500        | 2000           | CDV30FJ152JO3F         | 0.79 (20.1)  | 0.89 (22.6)  | 0.32 (8.1)   | 0.438 (11.1) | 0.040 (1.0)  |
| 1500        | 2500           | CDV30FK152JO3F         | 0.80 (20.3)  | 0.89 (22.6)  | 0.35 (8.9)   | 0.438 (11.1) | 0.040 (1.0)  |
| 1800        | 500            | CD19FD182JO3F          | 0.67 (17.0)  | 0.53 (13.5)  | 0.24 (6.1)   | 0.344 (8.7)  | 0.032 (.8)   |
| 1800        | 1000           | CDV19FF182JO3F         | 0.68 (17.3)  | 0.55 (14.0)  | 0.29 (7.4)   | 0.344 (8.7)  | 0.032 (.8)   |
| 1800        | 1500           | CDV30FH182JO3F         | 0.78 (19.8)  | 0.87 (22.1)  | 0.29 (7.4)   | 0.438 (11.1) | 0.040 (1.0)  |
| 1800        | 2000           | CDV30FJ182JO3F         | 0.79 (20.1)  | 0.89 (22.6)  | 0.34 (8.6)   | 0.438 (11.1) | 0.040 (1.0)  |
| 1800        | 2500           | CDV30FK182JO3F         | 0.81 (20.6)  | 0.90 (22.9)  | 0.37 (9.4)   | 0.438 (11.1) | 0.040 (1.0)  |
| 2200        | 500            | CD19FD222JO3F          | 0.67 (17.0)  | 0.53 (13.5)  | 0.25 (6.4)   | 0.344 (8.7)  | 0.032 (.8)   |
| 2200        | 500            | CD30FD222JO3F          | 0.77 (19.6)  | 0.85 (21.6)  | 0.25 (6.4)   | 0.438 (11.1) | 0.040 (1.0)  |
| 2200        | 1000           | CDV19FF222JO3F         | 0.69 (17.5)  | 0.56 (14.2)  | 0.31 (7.9)   | 0.344 (8.7)  | 0.032 (.8)   |
| 2200        | 1500           | CDV30FH222JO3F         | 0.79 (20.1)  | 0.88 (22.4)  | 0.31 (7.9)   | 0.438 (11.1) | 0.040 (1.0)  |
| 2700        | 500            | CD19FD272JO3F          | 0.68 (17.3)  | 0.54 (13.7)  | 0.27 (6.9)   | 0.344 (8.7)  | 0.032 (.8)   |
| 2700        | 500            | CD30FD272JO3F          | 0.77 (19.6)  | 0.85 (21.6)  | 0.25 (6.4)   | 0.438 (11.1) | 0.040 (1.0)  |
| 2700        | 1000           | CDV19FF272JO3F         | 0.70 (17.8)  | 0.57 (14.5)  | 0.34 (8.6)   | 0.344 (8.7)  | 0.032 (.8)   |

# Mica Capacitors, Standard Dipped

## Types CD10, D10, CD15, CD19, CD30, CD42, CDV19, CDV30

| Cap<br>(pF) | Volts<br>(Vdc) | Catalog<br>Part Number | L<br>in (mm) | H<br>in (mm) | T<br>in (mm) | S<br>in (mm) | d<br>in (mm) |
|-------------|----------------|------------------------|--------------|--------------|--------------|--------------|--------------|
| 2700        | 1500           | CDV30FH272JO3F         | 0.79 (20.1)  | 0.88 (22.4)  | 0.33( 8.4)   | 0.438 (11.1) | 0.040 (1.0)  |
| 2700        | 2000           | CDV30FJ272JO3F         | 0.81 (20.6)  | 0.91 (23.1)  | 0.40(10.2)   | 0.438 (11.1) | 0.040 (1.0)  |
| 2700        | 2500           | CDV30FK272JO3F         | 0.83 (21.1)  | 0.92 (23.4)  | 0.45(11.4)   | 0.438 (11.1) | 0.040 (1.0)  |
| 3300        | 500            | CD19FD332JO3F          | 0.68 (17.3)  | 0.55 (14.0)  | 0.29( 7.4)   | 0.344 ( 8.7) | 0.032 (.8)   |
| 3300        | 500            | CD30FD332JO3F          | 0.77 (19.6)  | 0.86 (21.8)  | 0.25( 6.4)   | 0.438 (11.1) | 0.040 (1.0)  |
| 3300        | 1000           | CDV19FF332JO3F         | 0.72 (18.3)  | 0.59 (15.0)  | 0.38( 9.7)   | 0.344 ( 8.7) | 0.032 (.8)   |
| 3300        | 1500           | CDV30FH332JO3F         | 0.80 (20.3)  | 0.89 (22.6)  | 0.35( 8.9)   | 0.438 (11.1) | 0.040 (1.0)  |
| 3300        | 2000           | CDV30FJ332JO3F         | 0.82 (20.8)  | 0.92 (23.4)  | 0.44(11.2)   | 0.438 (11.1) | 0.040 (1.0)  |
| 3900        | 500            | CD19FD392JO3F          | 0.69 (17.5)  | 0.56 (14.2)  | 0.31( 7.9)   | 0.344 ( 8.7) | 0.032 (.8)   |
| 3900        | 500            | CD30FD392JO3F          | 0.77 (19.6)  | 0.86 (21.8)  | 0.26( 6.6)   | 0.438 (11.1) | 0.040 (1.0)  |
| 3900        | 1000           | CDV19FF392JO3F         | 0.74 (18.8)  | 0.61 (15.5)  | 0.42(10.7)   | 0.344 ( 8.7) | 0.032 (.8)   |
| 3900        | 1500           | CDV30FH392JO3F         | 0.80 (20.3)  | 0.89 (22.6)  | 0.36( 9.1)   | 0.438 (11.1) | 0.040 (1.0)  |
| 3900        | 2000           | CDV30FJ392JO3F         | 0.83 (21.1)  | 0.93 (23.6)  | 0.46(11.7)   | 0.438 (11.1) | 0.040 (1.0)  |
| 4700        | 500            | CD19FD472JO3F          | 0.70 (17.8)  | 0.58 (14.7)  | 0.35( 8.9)   | 0.344 ( 8.7) | 0.032 (.8)   |
| 4700        | 500            | CD30FD472JO3F          | 0.78 (19.8)  | 0.86 (21.8)  | 0.27( 6.9)   | 0.438 (11.1) | 0.040 (1.0)  |
| 4700        | 1000           | CDV19FF472JO3F         | 0.76 (19.3)  | 0.63 (16.0)  | 0.46(11.7)   | 0.344 ( 8.7) | 0.032 (.8)   |
| 4700        | 1500           | CDV30FH472JO3F         | 0.81 (20.6)  | 0.90 (22.9)  | 0.38( 9.7)   | 0.438 (11.1) | 0.040 (1.0)  |
| 5600        | 300            | CD19FC562JO3F          | 0.68 (17.3)  | 0.56 (14.2)  | 0.31( 7.9)   | 0.344 ( 8.7) | 0.032 (.8)   |
| 5600        | 500            | CD30FD562JO3F          | 0.78 (19.8)  | 0.87 (22.1)  | 0.29( 7.4)   | 0.438 (11.1) | 0.040 (1.0)  |
| 5600        | 1000           | CDV30FF562JO3F         | 0.80 (20.3)  | 0.89 (22.6)  | 0.34( 8.6)   | 0.438 (11.1) | 0.040 (1.0)  |
| 5600        | 1500           | CDV30FH562JO3F         | 0.82 (20.8)  | 0.91 (23.1)  | 0.40(10.2)   | 0.438 (11.1) | 0.040 (1.0)  |
| 6800        | 300            | CD19FC682JO3F          | 0.69 (17.5)  | 0.57 (14.5)  | 0.33( 8.4)   | 0.344 ( 8.7) | 0.032 (.8)   |
| 6800        | 500            | CD30FD682JO3F          | 0.78 (19.8)  | 0.88 (22.4)  | 0.30( 7.6)   | 0.438 (11.1) | 0.040 (1.0)  |
| 6800        | 1000           | CDV30FF682JO3F         | 0.80 (20.3)  | 0.89 (22.6)  | 0.36( 9.1)   | 0.438 (11.1) | 0.040 (1.0)  |
| 6800        | 1500           | CDV30FH682JO3F         | 0.83 (21.1)  | 0.92 (23.4)  | 0.42(10.7)   | 0.438 (11.1) | 0.040 (1.0)  |
| 8200        | 100            | CD19FA822JO3F          | 0.70 (17.8)  | 0.58 (14.7)  | 0.35( 8.9)   | 0.344 ( 8.7) | 0.032 (.8)   |
| 8200        | 500            | CD30FD822JO3F          | 0.79 (20.1)  | 0.88 (22.4)  | 0.32( 8.1)   | 0.438 (11.1) | 0.040 (1.0)  |
| 8200        | 1000           | CDV30FF822JO3F         | 0.81 (20.6)  | 0.90 (22.9)  | 0.39( 9.9)   | 0.438 (11.1) | 0.040 (1.0)  |
| 8200        | 1500           | CDV30FH822JO3F         | 0.84 (21.3)  | 0.93 (23.6)  | 0.46(11.7)   | 0.438 (11.1) | 0.040 (1.0)  |
| 10000       | 100            | CD19FA103JO3F          | 0.72 (18.3)  | 0.60 (15.2)  | 0.37( 9.4)   | 0.344 ( 8.7) | 0.032 (.8)   |
| 10000       | 500            | CD30FD103JO3F          | 0.80 (20.3)  | 0.89 (22.6)  | 0.34( 8.6)   | 0.438 (11.1) | 0.040 (1.0)  |
| 10000       | 1000           | CDV30FF103JO3F         | 0.82 (20.8)  | 0.91 (23.1)  | 0.42(10.7)   | 0.438 (11.1) | 0.040 (1.0)  |
| 12000       | 500            | CD30FD123JO3F          | 0.80 (20.3)  | 0.89 (22.6)  | 0.36( 9.1)   | 0.438 (11.1) | 0.040 (1.0)  |
| 12000       | 1000           | CDV30FF123JO3F         | 0.83 (21.1)  | 0.92 (23.4)  | 0.46(11.7)   | 0.438 (11.1) | 0.040 (1.0)  |
| 15000       | 500            | CD30FD153JO3F          | 0.81 (20.6)  | 0.90 (22.9)  | 0.39( 9.9)   | 0.438 (11.1) | 0.040 (1.0)  |
| 18000       | 500            | CD30FD183JO3F          | 0.82 (20.8)  | 0.91 (23.1)  | 0.43(10.9)   | 0.438 (11.1) | 0.040 (1.0)  |
| 22000       | 500            | CD30FD223JO3F          | 0.83 (21.1)  | 0.93 (23.6)  | 0.46(11.7)   | 0.438 (11.1) | 0.040 (1.0)  |
| 22000       | 500            | CD42FD223JO3F          | 1.42 (36.1)  | 0.88 (22.4)  | 0.31( 7.9)   | 1.063 (27.0) | 0.040 (1.0)  |
| 33000       | 100            | CD30FA333JO3F          | 0.83 (21.1)  | 0.91 (23.1)  | 0.44(11.2)   | 0.438 (11.1) | 0.040 (1.0)  |
| 33000       | 500            | CD42FD333JO3F          | 1.44 (36.6)  | 0.89 (22.6)  | 0.36( 9.1)   | 1.063 (27.0) | 0.040 (1.0)  |
| 39000       | 500            | CD42FD393JO3F          | 1.45 (36.8)  | 0.90 (22.9)  | 0.40(10.2)   | 1.063 (27.0) | 0.040 (1.0)  |
| 47000       | 500            | CD42FD473JO3F          | 1.47 (37.3)  | 0.91 (23.1)  | 0.45(11.4)   | 1.063 (27.0) | 0.040 (1.0)  |
| 68000       | 300            | CD42FC683JO3F          | 1.48 (37.6)  | 0.92 (23.4)  | 0.47(11.9)   | 1.063 (27.0) | 0.040 (1.0)  |
| 82000       | 100            | CD42FA823JO3F          | 1.48 (37.6)  | 0.92 (23.4)  | 0.46(11.7)   | 1.063 (27.0) | 0.040 (1.0)  |
| 91000       | 100            | CD42FA913JO3F          | 1.50 (38.1)  | 0.94 (23.9)  | 0.50(12.7)   | 1.063 (27.0) | 0.040 (1.0)  |

**Notice and Disclaimer:** All product drawings, descriptions, specifications, statements, information and data (collectively, the "Information") in this datasheet or other publication are subject to change. The customer is responsible for checking, confirming and verifying the extent to which the Information contained in this datasheet or other publication is applicable to an order at the time the order is placed. All Information given herein is believed to be accurate and reliable, but it is presented without any guarantee, warranty, representation or responsibility of any kind, expressed or implied. Statements of suitability for certain applications are based on the knowledge that the Cornell Dubilier company providing such statements ("Cornell Dubilier") has of operating conditions that such Cornell Dubilier company regards as typical for such applications, but are not intended to constitute any guarantee, warranty or representation regarding any such matter – and Cornell Dubilier specifically and expressly disclaims any guarantee, warranty or representation concerning the suitability for a specific customer application, use, storage, transportation, or operating environment. The Information is intended for use only by customers who have the requisite experience and capability to determine the correct products for their application. Any technical advice inferred from this Information or otherwise provided by Cornell Dubilier with reference to the use of any Cornell Dubilier products is given gratis (unless otherwise specified by Cornell Dubilier), and Cornell Dubilier assumes no obligation or liability for the advice given or results obtained. Although Cornell Dubilier strives to apply the most stringent quality and safety standards regarding the design and manufacturing of its products, in light of the current state of the art, isolated component failures may still occur. Accordingly, customer applications which require a high degree of reliability or safety should employ suitable designs or other safeguards (such as installation of protective circuitry or redundancies or other appropriate protective measures) in order to ensure that the failure of an electrical component does not result in a risk of personal injury or property damage. Although all product-related warnings, cautions and notes must be observed, the customer should not assume that all safety measures are indicated in such warnings, cautions and notes, or that other safety measures may not be required.