

Type 947MC Polypropylene, High Energy Density, DC Link Capacitors

High Current, High Capacitance for Inverter Applications

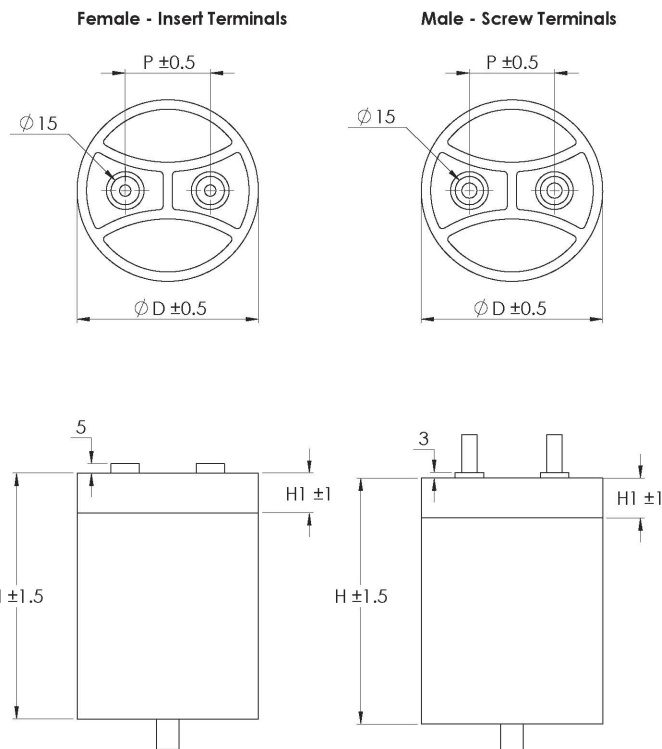


Type 947MC series uses the most advanced metallized film technology for long life and high reliability in DC Link applications. This series combines high capacitance and very high ripple current capability needed for today's inverter designs for wind, solar, fuel cells, UPS systems and more.

Specifications

Capacitance Range	50 μ F - 3750 μ F
Capacitance Tolerance	\pm 5%(J) \pm 10%(K)
Rated Voltage	450 Vdc - 4000 Vdc
Operating Temperature Range	-40 $^{\circ}$ C to 85 $^{\circ}$ C (ambient)
Dissipation Factor:	\leq 0.003 (0.3%) @ 100 Hz @ 20 $^{\circ}$ C
Test Voltage between Terminals @ 25 $^{\circ}$ C	1.5 x UN for 60s (terminal to terminal)
Test Voltage between Terminals and Case @ 25 $^{\circ}$ C	3 kVAC 50/60 Hz for 10s @ 25 $^{\circ}$ C
Insulation Resistance	IR x C \geq 10,000 M Ω x μ F @ 100VDC 20 $^{\circ}$ C
Reference Standards	IEC 61071
RoHS Compliant	

Dimensions



Shown with optional Stud

Construction Details	
Case Material	Aluminum Can
Resin Material	Dry Resin UL94V-0
Terminal Material	Tinned Copper Insert / Stud
Insulator Cap Material	Polypropylene UL94V-0

Type 947MC Polypropylene, High Energy Density, DC Link Capacitors

High Current, High Capacitance for Inverter Applications

Part Numbering System

947MC	108	K	601	D	N	I	M	S
Series	Capacitance	Tolerance	Voltage	Diameter Code	Height Code	Internal Code	Leads	Mounting
947MC	EIA Cap Code 706 = 70 μ F 117 = 110 μ F 258 = 2500 μ F	K = \pm 10% Standard J = \pm 5% On request	451 = 450 VDC 601 = 600 VDC 701 = 700 VDC 801 = 800 VDC 901 = 900 VDC 112 = 1100 VDC 122 = 1200 VDC 132 = 1300 VDC 152 = 1500 VDC 182 = 1800 VDC 202 = 2000 VDC 222 = 2200 VDC 282 = 2800 VDC 322 = 3200 VDC 402 = 4000 VDC	See table	See table	Internal	M = Male Terminals F = Female Terminals	S = Stud T = No Stud

Ratings

CDE Part Number	Cap	ESR	Rth	Irms	ESL	dV/dt	Ip	Is	D	H	P	Weight
450 Vdc												
947MC387K451CA1_*	380	2.2	4.5	45	50	10	3.8	11.4	76	75	32	0.5
947MC507K451CD1_*	500	1.5	3.2	65	40	8	4.0	12.0	76	100	32	0.6
947MC757K451CG1_*	750	1.6	3.0	65	50	5	3.8	11.3	76	130	32	0.8
947MC507K451DA1_*	500	1.8	3.7	55	50	8	4.0	12.0	86	75	32	0.8
947MC108K451DG1_*	1000	1.5	2.7	70	50	5	5.0	15.0	86	130	32	1.1
947MC657K451DD1_*	650	1.2	3.0	75	40	5	3.3	9.8	86	100	32	0.9
947MC657K451DC1_*	650	1.2	3.0	75	40	5	3.3	9.8	86	95	32	0.9
947MC657K451EA1_*	650	1.5	3.7	60	50	5	3.3	9.8	96	75	45	0.8
947MC128K451EG1_*	1250	1.0	3.1	80	50	4	5.0	15.0	96	130	45	1.2
947MC188K451FG1_*	1800	0.8	3.5	85	50	4	7.2	21.6	116	130	50	1.6
947MC148K451DP1_*	1450	0.9	2.7	90	60	4	5.8	17.4	86	190	32	1.6
947MC278K451FP1_*	2700	0.8	2.5	100	60	3	8.1	24.3	116	190	50	2.5
600 Vdc												
947MC257K601CA1_*	250	3.1	4.0	40	40	15	3.8	11.3	76	75	32	0.5
947MC327K601CD1_*	320	2.2	5.7	40	40	10	3.2	9.6	76	100	32	0.6
947MC477K601CG1_*	470	1.8	3.1	60	45	12	5.6	16.9	76	130	32	0.8
947MC337K601DA1_*	330	2.4	4.1	45	40	15	5.0	14.9	86	75	32	0.8
947MC607K601DE1_*	600	1.3	4.3	60	45	12	7.2	21.6	86	120	32	1.1
947MC657K601DG1_*	650	1.2	3.4	70	50	12	7.8	23.4	86	130	32	1.1
947MC657K601DC1_*	650	1.2	3.9	65	50	15	9.8	29.3	86	95	32	0.9
947MC108K601DN1_*	1000	1.5	2.7	70	50	12	12.0	36.0	86	180	32	1.5
947MC427K601EA1_*	420	2.0	4.0	50	45	15	6.3	18.9	96	75	45	0.8
947MC807K601EG1_*	800	1.5	2.4	75	60	12	9.6	28.8	96	130	45	1.2
947MC957K601FD1_*	950	1.2	2.1	90	60	10	9.5	28.5	116	100	50	1.3
947MC128K601FG1_*	1200	1.2	2.6	80	70	8	9.6	28.8	116	130	50	1.6
947MC188K601FN1_*	1800	1.2	2.6	80	50	8	14.4	43.2	116	180	50	2.4
947MC278K601FS1_*	2700	0.9	2.2	100	70	5	13.5	40.5	116	260	50	3.2
947MC258K601GN1_*	2500	0.8	2.5	100	60	5	12.5	37.5	136	180	50	3.7
947MC378K601GS1_*	3750	0.7	2.2	115	70	4	15.0	45.0	136	260	50	4.7

Type 947MC Polypropylene, High Energy Density, DC Link Capacitors

High Current, High Capacitance for Inverter Applications

CDE Part Number	Cap	ESR	Rth	Irms	ESL	dV/dt	Ip	Is	D	H	P	Weight
700 Vdc												
947MC207K701CA1_*	200	4.0	3.1	40	40	15	3.0	9.0	76	75	32	0.5
947MC407K701CG1_*	400	2.0	2.8	60	45	15	6.0	18.0	76	130	32	0.8
947MC427K701CG1_*	420	2.0	2.8	60	50	15	6.3	18.9	76	130	32	0.8
947MC607K701DF1_*	600	3.2	3.1	45	60	15	9.0	27.0	86	125	32	1.1
947MC557K701DG1_*	550	1.8	2.6	65	50	12	6.6	19.8	86	130	32	1.1
947MC687K701EG1_*	680	1.5	2.4	75	45	12	8.2	24.5	96	130	45	1.2
947MC727K701EF1_*	720	2.6	2.5	55	60	12	8.6	25.9	96	125	45	1.2
947MC108K701FG1_*	1000	1.0	3.1	80	50	10	10.0	30.0	116	130	50	1.6
947MC108K701EN1_*	1000	1.2	3.0	75	60	10	10.0	30.0	96	180	45	1.6
947MC158K701FN1_*	1500	0.9	3.1	85	60	7	10.5	31.5	116	180	50	2.4
947MC208K701FR1_*	2000	0.8	3.5	85	70	7	14.0	42.0	116	230	50	3.0
947MC208K701GN1_*	2000	0.8	3.3	90	60	7	14.0	42.0	136	180	50	3.7
947MC308K701GR1_*	3000	0.7	2.9	100	70	5	15.0	45.0	136	230	50	4.2
947MC338K701GS1_*	3300	0.6	2.3	120	70	5	16.5	49.5	136	260	50	4.7
800 Vdc												
947MC117K801DB1_*	110	2	1.8	75	45	20	2.2	6.6	86	80	32	0.8
947MC157K801DC1_*	150	1.5	2.1	80	45	20	3	9	86	95	32	0.85
947MC257K801DA1_*	250	3.1	3.2	45	45	15	3.8	11.3	86	75	32	0.8
947MC367K801DG1_*	360	2.2	2.2	65	55	12	4.3	13	86	130	32	1.1
947MC477K801DG1_*	470	2.8	1.5	70	45	12	5.6	16.9	86	130	32	1.1
947MC607K801EG1_*	600	2.2	1.6	75	55	10	6	18	96	130	45	1.2
947MC737K801DN1_*	730	1.8	2.3	70	55	10	7.3	21.9	86	180	32	1.5
947MC757K801DN1_*	750	1.8	2	75	55	12	9	27	86	180	32	1.5
947MC108K801EN1_*	1000	1.3	2.7	75	60	10	10	30	96	180	45	1.6
947MC907K801FG1_*	900	1.4	2.2	80	65	7	6.3	18.9	116	130	50	1.6
947MC148K801FN1_*	1400	0.9	3.5	80	65	7	9.8	29.4	116	180	50	2.4
947MC108K801FF1_*	1000	1.4	2.9	70	60	7	7.0	21.0	116	125	50	1.6
947MC208K801FR1_*	2000	0.9	3.1	85	65	5	10.0	30.0	116	230	50	3.0
947MC288K801GR1_*	2800	0.8	2.5	100	70	5	14.0	42.0	136	230	50	4.2
900 Vdc												
947MC167K901CA1_*	160	3.0	5.4	35	40	15	3.0	9.0	76	75	32	0.5
947MC327K901CG1_*	320	3.2	1.7	60	50	15	5.0	14.9	76	130	32	0.8
947MC357K901CF1_*	350	2.8	4.5	40	50	15	5.0	15.0	76	125	32	0.8
947MC217K901DA1_*	210	2.2	5.7	40	40	15	3.2	9.5	86	75	32	0.8
947MC457K901DF1_*	450	2.7	3.0	50	45	12	5.4	16.2	86	125	32	1.1
947MC427K901DG1_*	420	2.5	1.9	65	45	12	5.0	15.1	86	130	32	1.1
947MC497K901DE1_*	490	1.8	2.3	70	45	10	4.9	14.7	86	120	32	1.1
947MC517K901DE1_*	510	1.8	2.3	70	45	10	5.1	15.3	86	120	32	1.1
947MC667K901DN1_*	660	2.0	2.0	70	50	10	6.6	19.8	86	180	32	1.5
947MC907K901DR1_*	900	2.1	2.3	65	50	10	9.0	27.0	86	230	32	1.8
947MC587K901EF1_*	580	3.3	2.0	55	50	10	5.8	17.4	96	125	45	1.2
947MC547K901EG1_*	540	1.5	2.4	75	50	7	3.8	11.3	96	130	45	1.2
947MC637K901FD1_*	630	2.0	2.8	60	55	7	4.4	13.2	116	100	50	1.3
947MC867K901FF1_*	860	2.2	2.5	60	55	7	6.0	18.1	116	125	50	1.6
947MC817K901FG1_*	810	1.2	2.6	80	60	7	5.7	17.0	116	130	50	1.6
947MC128K901FN1_*	1250	1.2	2.6	80	60	7	8.8	26.3	116	180	50	2.4
947MC178K901FR1_*	1700	1.1	2.8	80	60	5	8.5	25.5	116	230	50	3.0
947MC178K901GN1_*	1700	0.9	2.2	100	65	6	10.2	30.6	136	180	50	3.7
947MC248K901GR1_*	2400	1.0	2.1	100	70	5	12.0	36.0	136	230	50	4.2

Type 947MC Polypropylene, High Energy Density, DC Link Capacitors

High Current, High Capacitance for Inverter Applications

CDE Part Number	Cap	ESR	Rth	Irms	ESL	dV/dt	I _p	I _s	D	H	P	Weight
1100 Vdc												
947MC137K112CA1_*	130	4.5	3.6	35	40	15	1.9	5.6	76	75	32	0.5
947MC267K112CG1_*	260	2.8	2.0	60	45	15	3.8	11.3	76	130	32	0.8
947MC287K112CF1_*	280	4.0	4.1	35	50	12	3.3	9.9	76	125	32	0.8
947MC177K112DA1_*	170	5.0	2.0	45	50	15	2.6	7.7	86	75	32	0.8
947MC367K112DF1_*	360	2.5	6.5	35	55	12	4.3	13.0	86	125	32	1.1
947MC337K112DG1_*	330	2.8	1.7	65	45	15	5.0	15.0	86	130	32	1.1
947MC427K112DH1_*	420	2.0	2.8	60	45	12	5.0	15.0	86	136	32	1.2
947MC427K112DK1_*	420	1.5	3.2	65	45	12	5.0	15.0	86	155	32	1.3
947MC477K112DN1_*	470	1.8	2.3	70	60	10	4.7	14.1	86	180	32	1.5
947MC507K112DN1_*	500	1.8	2.3	70	60	10	5.0	15.0	86	180	32	1.5
947MC607K112DQ1_*	600	1.2	2.6	80	60	10	6.0	18.0	86	225	32	1.8
947MC607K112DQ2_*	600	2.2	2.5	60	70	10	6.0	18.0	86	225	32	1.8
947MC607K112EG1_*	600	1.8	2.0	75	50	10	6.0	18.0	96	130	45	1.2
947MC687K112DQ1_*	680	2.5	1.9	65	70	12	8.2	24.5	86	225	32	1.8
947MC727K112DR1_*	720	2.5	1.9	65	70	12	8.6	25.9	86	230	32	1.8
947MC467K112EF1_*	460	3.2	2.1	55	65	10	4.6	13.8	96	125	45	1.2
947MC527K112EN1_*	520	1.5	2.4	75	65	12	6.2	18.7	96	180	45	1.6
947MC507K112FD1_*	500	2.5	2.6	55	70	10	5.0	15.0	116	100	50	1.3
947MC687K112FF1_*	680	2.8	2.0	60	70	10	6.8	20.4	116	125	50	1.6
947MC657K112FG1_*	650	1.3	2.7	75	75	10	6.5	19.5	116	130	50	1.6
947MC108K112FN1_*	1000	1.5	2.4	75	75	12	12.0	36.0	116	180	50	2.4
947MC128K112FR1_*	1200	1.5	2.1	80	80	8	9.6	28.8	116	230	50	3.0
947MC128K112FR2_*	1200	0.9	2.0	105	75	12	14.4	43.2	116	230	50	3.0
947MC128K112FR3_*	1250	1.5	2.1	80	75	12	15.0	45.0	116	230	50	3.0
947MC138K112FR1_*	1300	1.5	2.1	80	75	12	15.6	46.8	116	230	50	3.0
947MC148K112GN1_*	1400	1.3	2.1	85	70	7	9.8	29.4	136	180	50	3.7
947MC178K112GR1_*	1700	1.4	1.4	100	70	5	8.5	25.5	136	230	50	4.2
947MC198K112GR1_*	1900	1.2	1.7	100	75	5	9.5	28.5	136	230	50	4.2
947MC288K112GU1_*	2800	0.8	1.7	120	80	5	14.0	42.0	136	335	50	6.1
947MC308K112GV1_*	3060	0.9	1.5	120	80	5	15.3	45.9	136	345	50	6.2
947MC328K112GU1_*	3200	0.9	1.6	120	80	5	16.0	48.0	136	335	50	6.1
1200 Vdc												
947MC177K122DA1_*	170	4.5	2.2	45	50	15	2.6	7.7	86	75	32	0.8
947MC427K122CJ1_*	420	12.0	1.9	30	50	15	6.3	18.9	76	145	32	0.9
947MC337K122DG1_*	330	2.8	1.7	65	45	15	5.0	15.0	86	130	32	1.1
947MC427K122DH1_*	420	2.0	2.4	65	45	12	5.0	15.0	86	136	32	1.2
947MC427K122DK1_*	420	1.5	2.7	70	45	12	5.0	15.0	86	155	32	1.3
947MC427K122FC1_*	420	1.4	2.2	80	55	10	4.2	12.6	116	95	50	1.2
947MC457K122DM1_*	450	2.9	1.4	70	55	12	5.4	16.2	86	160	32	1.3
947MC477K122DN1_*	470	2.8	1.5	70	60	12	5.6	16.9	86	180	32	1.5
947MC477K122DQ1_*	470	2.8	1.5	70	60	12	5.6	16.9	86	225	32	1.8
947MC557K122DJ1_*	550	11.0	1.1	40	55	12	6.6	19.8	86	145	32	1.2
947MC607K122DQ1_*	600	1.2	2.6	80	60	10	6.0	18.0	86	225	32	1.8
947MC607K122DQ2_*	600	2.2	2.5	60	70	10	6.0	18.0	86	225	32	1.8
947MC607K122EG1_*	600	1.8	2.0	75	50	10	6.0	18.0	96	130	45	1.2
947MC687K122DQ1_*	680	2.5	1.9	65	70	12	8.2	24.5	86	225	32	1.8

Type 947MC Polypropylene, High Energy Density, DC Link Capacitors

High Current, High Capacitance for Inverter Applications

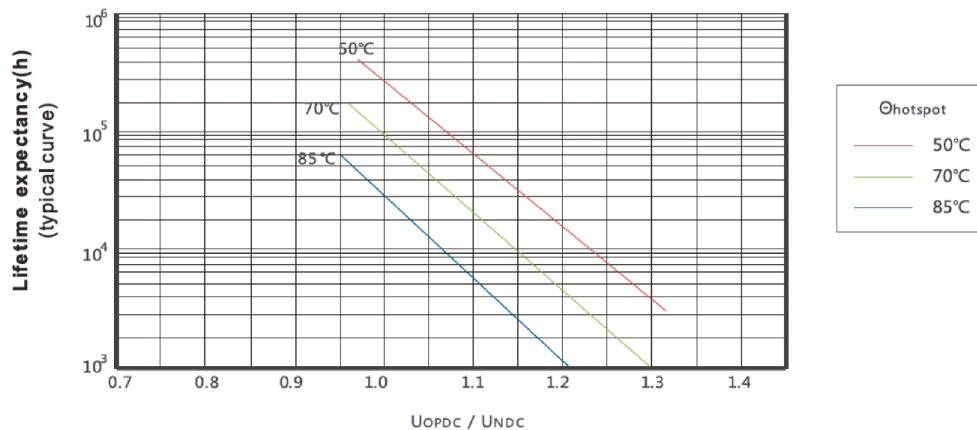
CDE Part Number	Cap	ESR	Rth	Irms	ESL	dV/dt	Ip	Is	D	H	P	Weight
1200 Vdc												
947MC507K122FD1_*	500	2.6	2.5	55	65	10	5.0	15.0	116	100	50	1.2
947MC687K122FF1_*	680	2.8	2.9	50	65	10	6.8	20.4	116	125	50	1.6
947MC657K122FG1_*	650	1.8	1.7	80	65	10	6.5	19.5	116	130	50	1.6
947MC108K122FN1_*	1000	1.3	2.7	75	70	7	7.0	21.0	116	180	50	2.4
947MC128K122FR1_*	1200	1.3	2.7	75	70	7	8.4	25.2	116	230	50	3.0
947MC128K122FR2_*	1250	1.2	3.0	75	70	7	8.8	26.3	116	230	50	3.0
947MC148K122GN1_*	1400	1.1	2.5	85	75	7	9.8	29.4	136	180	50	3.7
947MC178K122GR1_*	1700	1.0	2.8	85	80	5	8.5	25.5	136	230	50	4.2
947MC857K122GF1_*	850	1.6	2.2	75	70	8	6.8	20.4	136	125	50	1.9
947MC957K122GF1_*	950	1.1	2.8	80	60	8	7.6	22.8	136	125	50	2.4
947MC128K122FN1_*	1200	1.0	3.1	80	80	8	9.6	28.8	116	180	50	2.4
947MC128K122FN2_*	1200	0.8	2.5	100	60	5	6.0	18.0	116	180	50	2.4
947MC158K122GN1_*	1500	0.9	2.2	100	70	5	7.5	22.5	136	180	50	3.7
947MC278K122GU1_*	2700	0.9	1.9	100	80	5	13.5	40.5	136	335	50	6.1
1300 Vdc												
947MC237K132DF1_*	230	5.0	3.3	35	50	15	5.7	17.1	86	125	32	1.1
947MC217K132DG1_*	210	2.0	2.0	70	50	15	3.2	9.5	86	130	32	1.1
947MC337K132DN1_*	330	3.0	1.6	65	60	15	5.0	14.9	86	180	32	1.5
947MC477K132DR1_*	470	3.2	1.5	65	65	12	5.6	16.9	86	230	32	1.8
947MC417K132FG1_*	410	1.8	1.7	80	65	12	4.9	14.8	116	130	50	1.6
947MC657K132FN1_*	650	2	1.4	85	65	10	6.5	19.5	116	180	50	2.4
947MC887K132FR1_*	880	2.2	1.3	85	80	10	8.8	26.4	116	230	50	3.0
947MC907K132GN1_*	900	1.6	1.3	100	70	7	6.3	18.9	136	180	50	3.7
947MC128K132GR1_*	1200	1.5	1.2	105	80	7	8.4	25.2	136	230	50	4.2
1500 Vdc												
947MC167K152DF1_*	160	5.0	3.3	35	50	15	5.7	17.1	86	125	32	1.1
947MC167K152DG1_*	160	3.5	1.6	60	50	15	2.4	7.2	86	130	32	1.1
947MC247K152DN1_*	240	5.0	0.9	65	55	15	3.6	10.8	86	180	32	1.5
947MC327K152DR1_*	320	3.5	1.6	60	55	12	3.8	11.5	86	230	32	1.8
947MC307K152FG1_*	300	2.0	1.6	75	55	12	3.6	10.8	116	130	50	1.6
947MC477K152FN1_*	470	2.8	1.3	75	60	10	4.7	14.1	116	180	50	2.4
947MC657K152FR1_*	650	2.8	1.1	80	60	10	6.5	19.5	116	230	50	3.0
947MC667K152GN1_*	660	1.8	1.1	100	60	7	4.6	13.9	136	180	50	3.7
947MC907K152GR1_*	900	1.2	1.5	105	60	6	5.4	16.2	136	230	50	4.2
947MC108K152GS1_*	1000	0.9	1.5	120	70	5	5.0	15.0	136	260	50	4.7
1800 Vdc												
947MC137K182DF1_*	130	5.0	3.3	35	55	15	5.7	17.1	86	125	32	1.1
947MC127K182DG1_*	120	2.5	2.2	60	55	15	1.8	5.4	86	130	32	1.1
947MC187K182DN1_*	180	2.0	2.4	65	60	15	2.7	8.1	86	180	32	1.5
947MC267K182DR1_*	260	3.0	1.9	60	60	12	3.1	9.4	86	230	32	1.8
947MC237K182FG1_*	230	2.0	1.6	80	60	12	2.8	8.3	116	130	50	1.6
947MC367K182FN1_*	360	3.2	1.0	80	65	10	3.6	10.8	116	180	50	2.4
947MC507K182FR1_*	500	3.0	1.2	75	70	10	5.0	15.0	116	230	50	3.0
947MC517K182GN1_*	510	2.0	1.0	100	70	7	3.6	10.7	136	180	50	3.7
947MC687K182GR1_*	680	2.0	1.1	95	70	7	4.8	14.3	136	230	50	4.2

Type 947MC Polypropylene, High Energy Density, DC Link Capacitors

High Current, High Capacitance for Inverter Applications

CDE Part Number	Cap	ESR	Rth	Irms	ESL	dV/dt	I _p	I _s	D	H	P	Weight
2000 Vdc												
947MC107K202DF1_*	100	3.8	4.3	35	55	15	1.5	4.5	86	125	32	1.1
947MC906K202DG1_*	90	2.5	1.9	65	55	15	1.4	4.1	86	130	32	1.1
947MC157K202DN1_*	150	3.5	1.6	60	60	15	2.3	6.8	86	180	32	1.5
947MC207K202DR1_*	200	2.0	2.4	60	60	12	2.4	7.2	86	230	32	1.8
947MC187K202FG1_*	180	2.5	1.4	65	65	10	1.8	5.4	116	130	50	1.6
947MC287K202FN1_*	280	2.0	2.0	70	70	10	2.8	8.4	116	180	50	2.4
947MC387K202FR1_*	380	2.0	1.6	80	80	10	3.8	11.4	116	230	50	3.0
947MC407K202GN1_*	400	1.6	1.3	60	60	7	2.8	8.4	136	180	50	3.7
947MC557K202GR1_*	550	1.5	1.3	70	70	7	3.9	11.6	136	230	50	4.2
947MC857K202GU1_*	850	1.1	1.3	80	80	5	4.3	12.8	136	335	50	6.1
2200 Vdc												
947MC327K222FR1_*	320	2.0	1.4	70	70	12	3.8	11.5	116	230	50	2.4
947MC387K222FT1_*	385	1.1	1.4	75	75	10	3.9	11.6	116	295	50	3.1
947MC457K222GR1_*	450	1.3	1.5	75	75	7	3.2	9.5	136	230	50	4.2
947MC677K222GU1_*	670	1.0	1.4	80	80	5	3.4	10.1	136	335	50	6.1
2800 Vdc												
947MC167K282FN1_*	160	2.2	1.6	70	70	30	4.8	14.4	116	180	50	2.4
947MC217K282FR1_*	210	2.8	1.5	75	75	25	5.3	15.8	116	230	50	3.0
947MC227K282GN1_*	225	2.0	1.4	75	75	20	4.5	13.5	136	180	50	3.7
947MC307K282GR1_*	300	2.5	1.3	80	80	15	4.5	13.5	136	230	50	4.2
3200 Vdc												
947MC117K322FN1_*	115	3.5	1.2	70	70	40	4.6	13.8	116	180	50	2.4
947MC167K322FR1_*	160	3.2	1.3	70	75	35	5.6	16.8	116	230	50	3.0
947MC167K322GN1_*	160	3.0	0.9	85	75	30	4.8	14.4	136	180	50	3.7
947MC227K322GR1_*	225	3.5	0.9	80	80	25	5.6	16.9	136	230	50	4.2
4000 Vdc												
947MC706K402FN1_*	70	3.5	1.2	70	70	50	3.5	10.5	116	180	50	2.4
947MC956K402FR1_*	95	3.6	1.1	70	75	40	3.8	11.4	116	230	50	3.0
947MC107K402GN1_*	100	3.0	0.9	85	75	35	3.5	10.5	136	180	50	3.7
947MC137K402GR1_*	135	3.5	0.9	80	80	30	4.1	12.2	136	230	50	4.2

Lifetime Expectancy Typical Curves



Notice and Disclaimer: All product drawings, descriptions, specifications, statements, information and data (collectively, the “Information”) in this datasheet or other publication are subject to change. The customer is responsible for checking, confirming and verifying the extent to which the Information contained in this datasheet or other publication is applicable to an order at the time the order is placed. All Information given herein is believed to be accurate and reliable, but it is presented without any guarantee, warranty, representation or responsibility of any kind, expressed or implied. Statements of suitability for certain applications are based on the knowledge that the Cornell Dubilier company providing such statements (“Cornell Dubilier”) has of operating conditions that such Cornell Dubilier company regards as typical for such applications, but are not intended to constitute any guarantee, warranty or representation regarding any such matter – and Cornell Dubilier specifically and expressly disclaims any guarantee, warranty or representation concerning the suitability for a specific customer application, use, storage, transportation, or operating environment. The Information is intended for use only by customers who have the requisite experience and capability to determine the correct products for their application. Any technical advice inferred from this Information or otherwise provided by Cornell Dubilier with reference to the use of any Cornell Dubilier products is given gratis (unless otherwise specified by Cornell Dubilier), and Cornell Dubilier assumes no obligation or liability for the advice given or results obtained. Although Cornell Dubilier strives to apply the most stringent quality and safety standards regarding the design and manufacturing of its products, in light of the current state of the art, isolated component failures may still occur. Accordingly, customer applications which require a high degree of reliability or safety should employ suitable designs or other safeguards (such as installation of protective circuitry or redundancies or other appropriate protective measures) in order to ensure that the failure of an electrical component does not result in a risk of personal injury or property damage. Although all product-related warnings, cautions and notes must be observed, the customer should not assume that all safety measures are indicated in such warnings, cautions and notes, or that other safety measures may not be required.