

# CDE

## Defibrillator Capacitors

FILM CAPACITORS FOR  
EXTERNAL DEFIBRILLATOR  
APPLICATIONS

RoHS COMPLIANT



Intelligent Capacitor Solutions

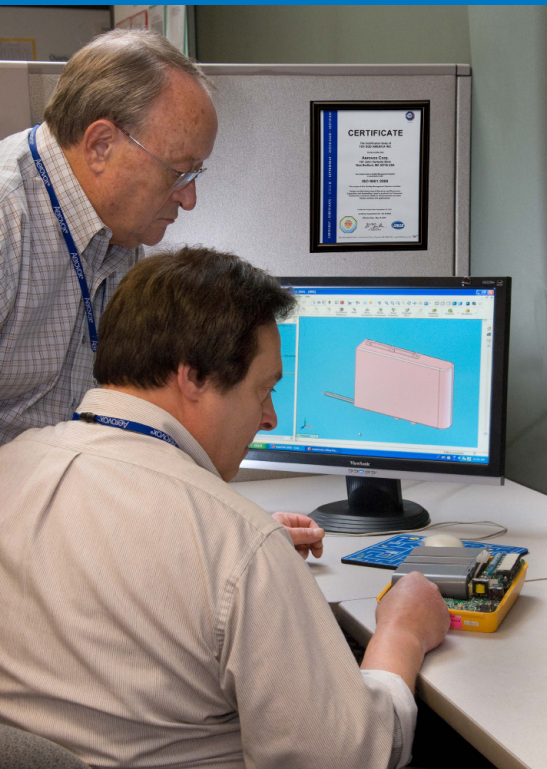




Reliability and high level performance position Cornell Dubilier as the industry leader in film capacitors for external defibrillator applications. CDE's defibrillator capacitors are designed with extensive process validation and manufactured under a rigorous quality management system to provide high reliability, long life and complete traceability. Their small size makes them ideally suited

for use in hospital, emergency room, first responder and public access defibrillators.

If your product or application requires a specialized capacitor, our expert Custom Applications Group engineers are ready to assist you.



**CDE provides intelligent capacitor solutions.**



## Defibrillator Capacitors

### FILM CAPACITORS FOR EXTERNAL DEFIBRILLATOR APPLICATIONS



CDE defibrillator capacitors are designed specifically to meet the reliability demands of a Class III medical device. In fact, leading medical device manufacturers choose CDE because they can count on 100% field reliability when it really matters.

These capacitors are housed in round or oval metal, oil-filled cases; or in a dry, epoxy-filled plastic housing version. Plastic cases offer excellent design flexibility, and can be customized to specific requirements. They are available in voltage ranges from 800 VDC to 6,000 VDC, delivering in excess of 500 joules at full charge.

### Applications

- External Defibrillator
- Pulse Power Applications

### Highlights

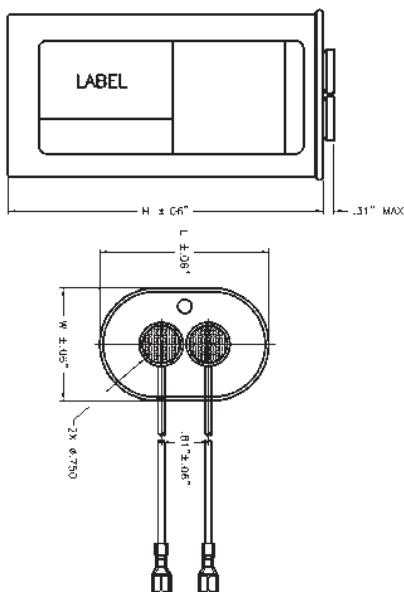
- Aluminum, steel or plastic case options
- Round and oval designs
- Available with wire harness
- High energy density
- Monophasic or bi-phasic designs
- Custom designs available
- RoHS compliant

### Specifications

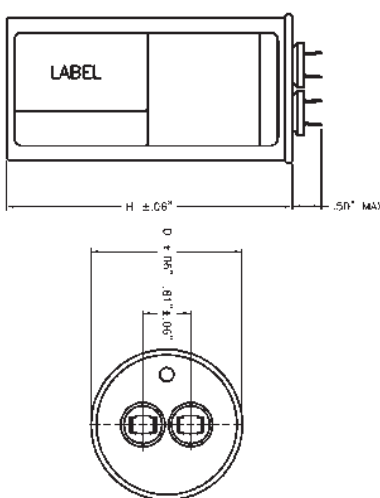
<b>Capacitance Range:</b>	32 to 500 $\mu$ F
<b>Capacitance Tolerance:</b>	$\pm$ 5% Standard
<b>DC Voltage Range:</b>	800 VDC to 6,000 VDC

### Outline Drawings

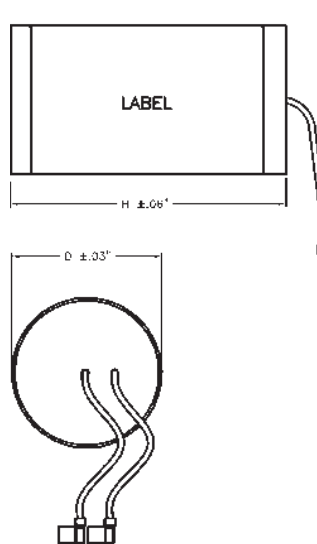
Metal – Oval



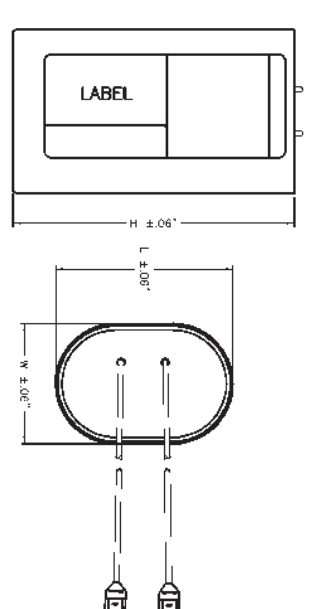
Metal – Round



Plastic – Round



Plastic – Oval

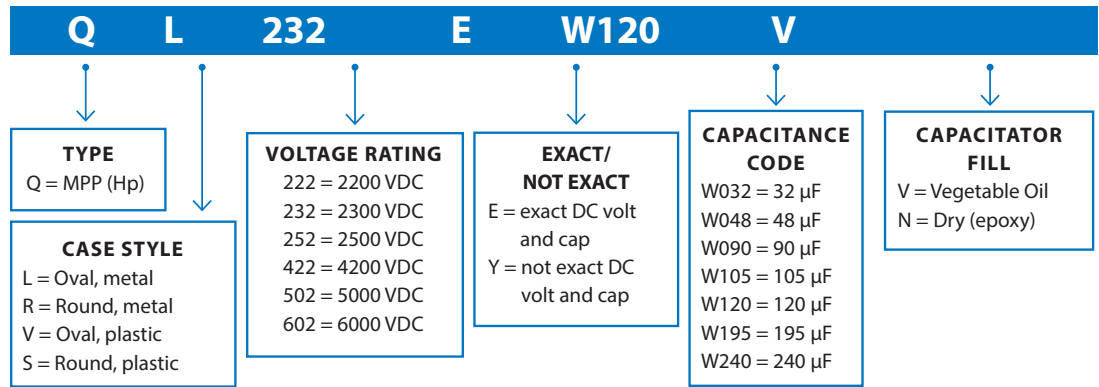


# Defibrillator Capacitors

## FILM CAPACITORS FOR EXTERNAL DEFIBRILLATOR APPLICATIONS

### Part Numbering System

CDE's part numbering system is a descriptive part number made up of several different components such as case style, voltage rating, etc. The descriptors are explained using QL232EW120V as a representative part number:



CAP ( $\mu$ F)	CDE P/N	VOLTAGE RATING (VDC)	JOULES (J)	STYLE (FILL)	SIZE W x L x H OR D x H (Inches)
120	QL232EW120V	2300	317	Oval, Metal (Oil)	1.91 x 2.91 x 3.75
32	QL502EW032V	5000	400	Oval, Metal (Oil)	1.91 x 2.91 x 6.75
48	QL422YW048V	4200	423	Oval, Metal (Oil)	1.91 x 2.91 x 5.75
195	QL232EW195V	2300	516	Oval, Metal (Oil)	1.91 x 2.91 x 5.75
195	QV232EW195N	2300	516	Oval, Plastic (Dry)	1.77 x 2.75 x 5.75
32	QL602EW032V	6000	576	Oval, Metal (Oil)	1.97 x 3.66 x 6.88
240	QL232EW240V	2300	635	Oval, Metal (Oil)	1.97 x 3.66 x 5.88
105	QR172YW105V	1760	163	Round, Metal (Oil)	1.88 x 4.75
105	QR222EW105V	2200	254	Round, Metal (Oil)	2.13 x 4.75
90	QR252EW090V	2500	281	Round, Metal (Oil)	2.63 x 4.75
195	QR222EW195V	2200	472	Round, Metal (Oil)	2.63 x 4.75
195	QS222EW195N	2200	472	Round, Plastic (Dry)	2.57 x 4.69
195	QR232EW195V	2300	516	Round, Metal (Oil)	2.38 x 5.60

### About CDE

CDE is a leading manufacturer of capacitors for industrial, medical and specialized applications, with world-class design, manufacturing and testing facilities in New Bedford, MA. Global manufacturing facilities in China and India enable quick turn-around for shipping and delivery worldwide.

CDE capacitors are among the world's most reliable components. Our extensive custom design and development capabilities coupled with broad, standardized product offerings allow us to provide intelligent capacitor solutions that meet or exceed customers' application requirements.

Our aim is to be the best and most sought after provider of capacitor solutions for specialty markets in the world by achieving the highest level of customer satisfaction with extraordinary emphasis on the creation of value and speed to market.



ENERGIZING IDEAS

1605 E. Rodney French Blvd. Tel: 508-996-8561  
New Bedford, MA 02745 Fax: 508-996-3830

sales1@cde.com  
www.CDE.com

Copyright 2012, CDE Corp.  
CDE is a registered trademark of CDE Corp.

DF01209 Printed in the USA