

Type D8 AC Rated 105 °C Dry HID Lighting Capacitors

Round Plastic Case, Insulated Stranded Wire Leads, Metallized Polypropylene

Type D8 dry capacitors are ideal for lighting applications. The dry construction eliminates the possibility of any oil leaking from the capacitor. Type D8 is a 60,000 hour life capacitor packaged in a round plastic case with long insulated stranded wire leads for easy connection.



Highlights:

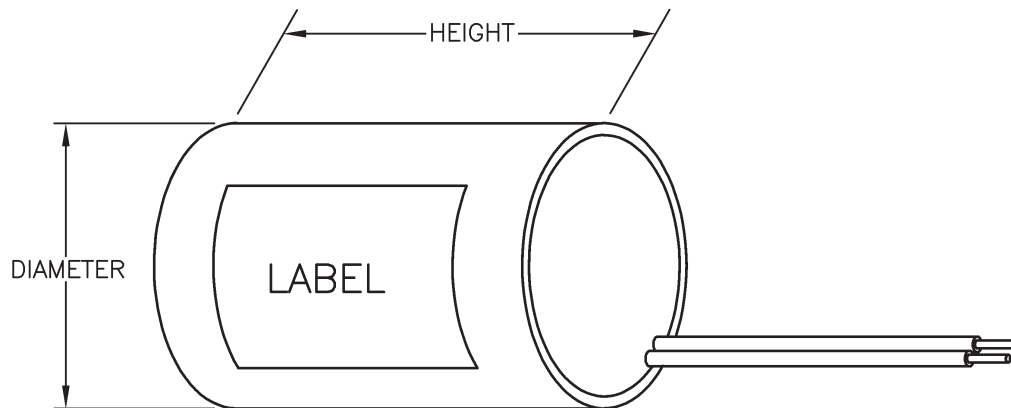
- Dry construction- UL94V0 dry resin filled
- 60,000 hours life at rated voltage, 105 °C
- Inherently safe - self healing metallized film
- Mounting hardware available
- 94V0 plastic case and insulated stranded wire leads
- No exposed live parts
- No grounding required
- No clearance requirements
- Supplied with or without internal resistor

Specifications

Capacitance Range	5 μ F to 62 μ F
Capacitance Tolerance	\pm 3%
Rated Voltage	240, 280, 330, 400 Vac
Operating Temperature Range	-40 °C to +105 °C;
Operating Frequency	50/60 Hz

[Regulatory Information](#)

Outline Drawing



Type D8 AC Rated 105 °C Dry HID Lighting Capacitors

Part Numbering System

CDE's part numbering system is a descriptive part number made of several different components such as can size, voltage rating, etc. The descriptors are explained below using D84W2456M as a representative part number:

D	84	W	24	56	M
Type	Can Size	Impregnant	Voltage Rating	Capacitance Code	Voltage / Capacity Discriptor
D	81 = 30 mm Rd 83 = 40 mm Rd 84 = 45 mm Rd 85 = 50 mm Rd	W = Dry w/ wire	24 = 240 Vac 28 = 280 Vac 33 = 330 Vac 40 = 400 Vac	56 = 56 µF	90°C Full Life 100°C Full Life 100°C Reduced Life

Ratings

Cap. (µF)	Catalog Part Number	Can Height Inches/ mm
240 VAC, 105°C Max Operating Case Temperature		
14	D81W2414M	2.68 (68.1)
15	D81W2415M	2.68 (68.1)
17.5	D83W2417N	2.68 (68.1)
20	D83W2420M	2.68 (68.1)
22.5	D83W2422N	2.68 (68.1)
28	D83W2428M	2.68 (68.1)
30	D83W2430M	2.68 (68.1)
34	D83W2434M	3.62 (92.0)
35	D83W2435M	3.62 (92.0)
36	D83W2436M	3.62 (92.0)
40	D83W2440M	3.62 (92.0)
45	D83W2445M	3.62 (92.0)
48	D84W2448M	3.62 (92.0)
52	D84W2452M	3.62 (92.0)
55	D84W2455M	3.62 (92.0)
56	D84W2456M	3.62 (92.0)
62	D84W2462M	3.62 (92.0)
280 VAC, 105°C Max Operating Case Temperature		
5	D81W2805M	2.17 (55.1)
6	D81W2806M	2.17 (55.1)
7	D81W2807M	2.17 (55.1)
8	D81W2808M	2.68 (68.1)
10	D81W2810M	2.68 (68.1)
12	D83W2812M	2.68 (68.1)
13	D83W2813M	2.68 (68.1)
14	D83W2814M	2.68 (68.1)
16	D83W2816M	2.68 (68.1)
17.5	D83W2817N	2.68 (68.1)
18.5	D83W2818N	2.68 (68.1)
20	D83W2820M	2.68 (68.1)

Cap. (µF)	Catalog Part Number	Can Height Inches/ mm
280 VAC, 105°C Max Operating Case Temperature		
21	D83W2821M	2.68 (68.1)
22	D83W2822M	2.68 (68.1)
22.5	D83W2822N	2.68 (68.1)
24	D83W2824M	3.62 (92.0)
24.5	D83W2824N	3.62 (92.0)
25	D83W2825M	3.62 (92.0)
35	D83W2835M	3.62 (92.0)
48	D84W2848M	3.62 (92.0)
56	D84W2856M	4.61 (117.1)
330 VAC, 105°C Max Operating Case Temperature		
5	D81W3305M	2.17 (55.1)
7	D81W3307M	2.68 (68.1)
8	D83W3308M	2.68 (68.1)
10	D83W3310M	2.68 (68.1)
12	D83W3312M	2.68 (68.1)
15	D83W3315M	2.68 (68.1)
16	D83W3316M	2.68 (68.1)
17.5	D83W3317N	3.62 (92.0)
26	D84W3326M	3.62 (92.0)
28	D84W3328M	3.62 (92.0)
45	D84W3345M	4.61 (117.1)
48	D85W3348M	4.61 (117.1)
400 VAC, 105°C Max Operating Case Temperature		
10	D83W4010M	3.62 (92.0)
12	D83W4012M	3.62 (92.0)
15	D83W4015M	3.62 (92.0)
18	D84W4018M	3.62 (92.0)
24	D84W4024M	4.61 (117.1)
30	D85W4030M	4.61 (117.1)

Type D8 AC Rated 105 °C Dry HID Lighting Capacitors

Notice and Disclaimer: All product drawings, descriptions, specifications, statements, information and data (collectively, the "Information") in this datasheet or other publication are subject to change. The customer is responsible for checking, confirming and verifying the extent to which the Information contained in this datasheet or other publication is applicable to an order at the time the order is placed. All Information given herein is believed to be accurate and reliable, but it is presented without any guarantee, warranty, representation or responsibility of any kind, expressed or implied. Statements of suitability for certain applications are based on the knowledge that the Cornell Dubilier company providing such statements ("Cornell Dubilier") has of operating conditions that such Cornell Dubilier company regards as typical for such applications, but are not intended to constitute any guarantee, warranty or representation regarding any such matter – and Cornell Dubilier specifically and expressly disclaims any guarantee, warranty or representation concerning the suitability for a specific customer application, use, storage, transportation, or operating environment. The Information is intended for use only by customers who have the requisite experience and capability to determine the correct products for their application. Any technical advice inferred from this Information or otherwise provided by Cornell Dubilier with reference to the use of any Cornell Dubilier products is given gratis (unless otherwise specified by Cornell Dubilier), and Cornell Dubilier assumes no obligation or liability for the advice given or results obtained. Although Cornell Dubilier strives to apply the most stringent quality and safety standards regarding the design and manufacturing of its products, in light of the current state of the art, isolated component failures may still occur. Accordingly, customer applications which require a high degree of reliability or safety should employ suitable designs or other safeguards (such as installation of protective circuitry or redundancies or other appropriate protective measures) in order to ensure that the failure of an electrical component does not result in a risk of personal injury or property damage. Although all product-related warnings, cautions and notes must be observed, the customer should not assume that all safety measures are indicated in such warnings, cautions and notes, or that other safety measures may not be required.