



Not Recommended for New Design – See our [DGH](#) series for New Designs

FEATURES

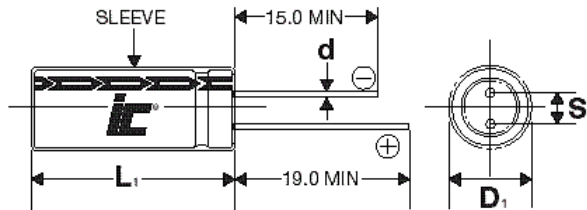
Very fast charge/discharge – High power density – IEC 62391 compliant – Circuit board mountable

APPLICATIONS

Battery backup/ alternative – Pulse power – Energy harvesting – LED Displays – Mechanical actuators – Audio systems

Operating Temperature Range		-25°C to +70°C	
Capacitance Tolerance		-20%/+50% @ 20°C	
Voltage	WVDC	2.3	
	SVDC	2.5	
Maximum Current		See standard part listing	1 second discharge to ½ WVDC
Leakage Current		See standard part listing	72 hours, 25°C
1000 hours at rated voltage and 70°C			
Endurance		Capacitance Change	±30% of initially measured values
		ESR	≤200% of initially specified values
25,000 cycles			
Life Cycles (25°C) 1 cycle= Charge to WVDC for 20s, constant voltage charging for 10s, discharge to ½ WVDC for 20s, rest for 10 s		Capacitance Change	±30% of initially measured values
		ESR	≤200% of initially specified values

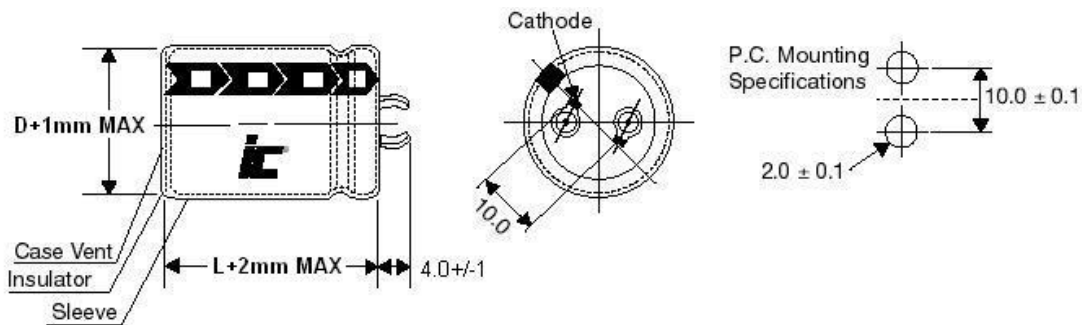
Diameters: <22 mm



D	10	16	18
S	5.0	7.5	7.5
d	0.6	0.8	0.8

$L_1 = L (<20\text{mm} + 1.5\text{mm}) (\geq 20\text{mm} + 2.0\text{mm})$
 $D_1 = D (<20\text{mm} + 0.5\text{mm}) (\geq 20\text{mm} + 1.0\text{mm})$
 $S_1 = S \pm 0.5\text{mm}$

Diameters: ≥22mm



DCR

Radial Lead, High energy

WVDC	Capacitance (F)	IC PART NUMBER	MAX Current (A)	ESR AC 1 kHz (mΩ)	DC ESR (mΩ) 20°C	Max stored energy (mWh)	LC (mA), (72 hrs)	Specific Energy Gravimetric Density (wh/kg)	Specific Energy Volumetric Density (wh/l)	Specific Power Gravimetric Density (kw/kg)	Specific Power Volumetric Density (kw/l)	Weight (grams)	Volume (mL)	Dims DxL (mm)	Lead Spacing (mm)
2.3	10.0	106DCR2R3SGU	2.3	220	400	7.3472	0.05	3.6736	4.6774	0.794	1.0103	2	1.5708	10x20	5
2.3	22.0	226DCR2R3STU	5.34	120	170	16.1639	0.065	4.6852	6.5858	1.082	1.5214	3.45	2.4544	12.5x20	5
2.3	30.0	306DCR2R3STV	5.95	100	160	22.0417	0.085	5.8004	7.1845	1.044	1.2932	3.8	3.068	12.5x25	5
2.3	50.0	506DCR2R3SKV	9.58	60	100	36.7361	0.11	5.248	7.3084	0.9069	1.2629	7	5.0265	16x25	7.5
2.3	70.0	706DCR2R3SKY	11.58	50	85	51.4306	0.15	6.1593	7.3084	0.894	1.0613	8.35	7.0372	16x35	7.5
2.3	120.0	127DCR2R3SLZ	15.68	35	65	88.1667	0.4	5.44	8.6618	0.603	0.9595	16.2	10.179	18x40	7.5
2.3	220.0	227DCR2R3SNI	23.21	25	45	161.1639	0.9	6.4656	9.0472	0.5643	0.7896	25	17.866	22x47	10
2.3	400.0	407DCR2R3SDG	41.82	20	25	293.8889	2	4.432	9.2393	0.3829	0.7983	66.31	31.809	30x45	10
2.3	600.0	607DCR2R3SDZ	53.08	15	20	440.8333	4	6.5649	10.394	0.473	0.7484	67.15	42.412	30x60	10
2.3	800.0	807DCR2R3SEK	70.77	10	15	587.7778	7.2	7.9926	8.7275	0.5755	0.6284	73.54	67.348	35x70	10