

Type PD, Leak-Free Motor Run and Power Supply Capacitors



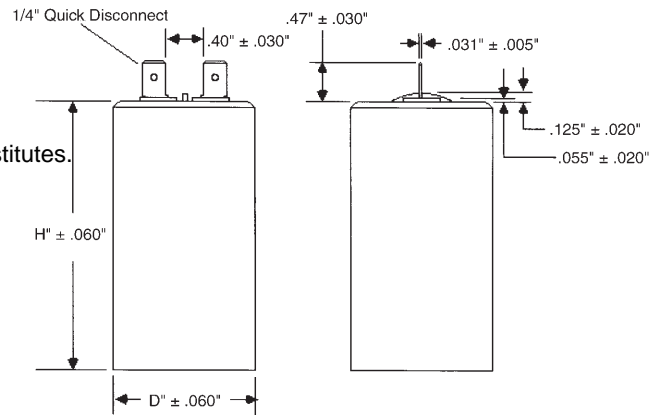
**Obsolete once current inventory is depleted. See [SF series](#) for substitutes.

Highlights

- Dry, epoxy filled construction. No oil.
- Plastic case: (corrosion free, dent free)
- 60,000 h life at rated voltage and temperature
- Voltage ratings: (240, 370, 440) Vac
- Capacitance range: 3.0 μ F to 70.0 μ F
- Capacitance tolerance: $\pm 10\%$
- Dissipation factor: $< 0.15\%$ @ 120 Hz
- Temperature range: -55°C to 70°C
- Protected: UL 810 approved
- Environmentally compatible
- Terminals: 1/4" Quick connect, 1 blade per terminal. Optional 2 blades per terminal.

Segmented Metallized Polypropylene Applications

Protect your equipment and the environment with Type PD capacitors. They're UL approved and meet EIA standards for motor-run and general purpose AC applications. These plastic cased, oil-free capacitors use segmented metallized film to ensure safe operation with no potential for messy or hazardous oil leaks.



High-Voltage and Motor Capacitors

Cap. (μ F) Ratings	Catalog Number	D (inches)	H (inches)
240 Vac			
3.0	PDA24U305M24	1.18	2.25
4.0	PDA24U405M24	1.18	2.25
5.0	PDA24U505M24	1.18	2.25
6.0	PDA24U605M24	1.18	2.25
7.5	PDA24U775M2C	1.18	2.75
10.0	PDB24U106M2C	1.58	2.75
12.5	PDB24U1255M2C	1.58	2.75
15.0	PDB24U156M2C	1.58	2.75
17.5	PDB24U1755M2C	1.58	2.75
20.0	PDB24U206M3C	1.58	3.75
25.0	PDB24U256M3C	1.58	3.75
30.0	PDB24U306M3C	1.58	3.75
35.0	PDC24U356M3C	1.77	3.75
40.0	PDC24U406M3C	1.77	3.75
45.0	PDC24U456M4B	1.77	4.70
50.0	PDC24U506M4B	1.77	4.70
55.0	PDC24U556M4B	1.77	4.70
60.0	PDD24U606M4B	1.97	4.70
65.0	PDD24U656M4B	1.97	4.70
70.0	PDD24U706M4B	1.97	4.70

Cap. (μ F) Ratings	Catalog Number	D (inches)	H (inches)
370 Vac			
2.0	PDA37U205M24	1.18	2.25
3.0	PDA37U305M24	1.18	2.25
4.0	PDA37U405M24	1.18	2.25
5.0	PDA37U505M2C	1.18	2.75
6.0	PDA37U605M2C	1.18	2.75
7.5	PDB37U775M2C	1.58	2.75
10.0	PDB37U106M2C	1.58	2.75
12.5	PDB37U1255M2C	1.58	2.75
15.0	PDB37U156M3C	1.58	3.75
17.5	PDB37U1755M3C	1.58	3.75
20.0	PDB37U206M3C	1.58	3.75
25.0	PDC37U256M3C	1.77	3.75
30.0	PDC37U306M4B	1.77	4.70
35.0	PDC37U356M4B	1.77	4.70
40.0	PDC37U406M4B	1.77	4.70
45.0	PDD37U456M4B	1.97	4.70
50.0	PDD37U506M4B	1.97	4.70
440 Vac			
2.0	PDA44U205M24	1.18	2.25
3.0	PDA44U305M24	1.18	2.25
4.0	PDA44U405M2C	1.18	2.25
5.0	PDA44U505M2C	1.18	2.75
6.0	PDB44U605M2C	1.58	2.75
7.5	PDB44U775M2C	1.58	2.75
10.0	PDB44U106M2C	1.58	2.75
12.5	PDB44U1255M3C	1.58	3.75
15.0	PDB44U156M3C	1.58	3.75
17.5	PDC44U1755M3C	1.77	3.75
20.0	PDC44U206M3C	1.77	3.75
25.0	PDC44U256M4C	1.77	4.75
30.0	PDC44U306M4B	1.77	4.70
35.0	PDD44U356M4B	1.97	4.70

1605 East Rodney French Blvd.
 New Bedford, MA 02744
 (508) 996-8564, Fax (508) 996-3830
<http://www.cornell-dubilier.com>
 E-mail: cdendb@cornell-dubilier.com



Your Source For Capacitor Solutions

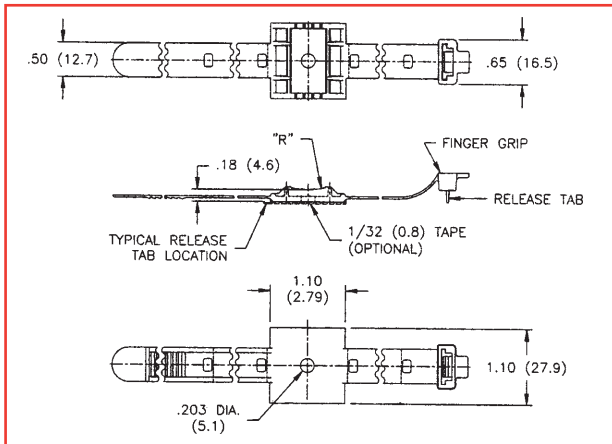
Service Life

The service life for this series is 60,000 hours of operating life with a 94% survival rate when operated at full voltage, 60 Hz, and rated ambient temperature. AC capacitors are frequently used at voltages and ambient temperatures other than rated conditions. Service life may be estimated under specific conditions of temperature and voltage by using the curves as shown to the right.

Protective System

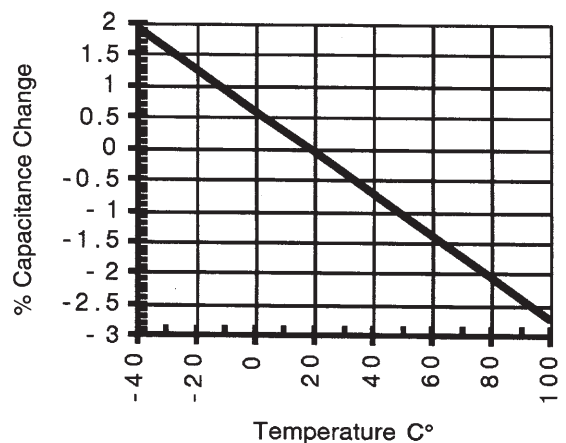
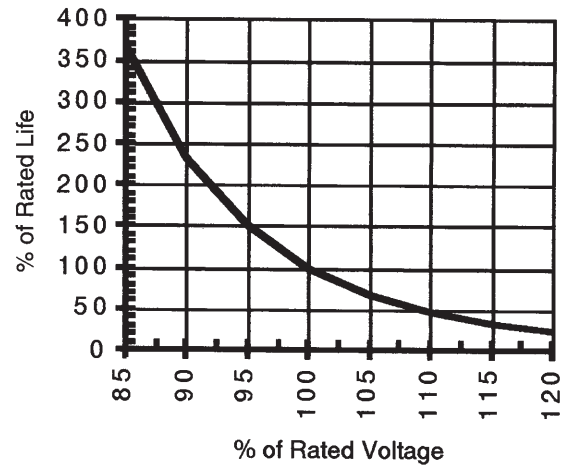
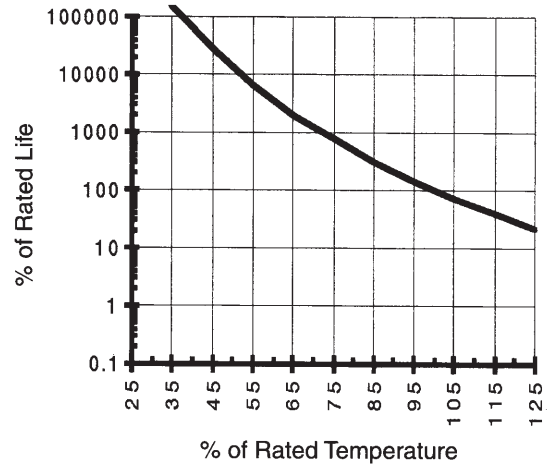
CDE's segmented, metallized electrode system protects Type PD capacitors from short-circuit failures. Each segment is connected by "fuses" (part of metallization pattern.) If fault occurs within a segment, the fuses open causing the segment to become isolated. No case expansion is necessary. This protective system provides long life and reliable operation. This system complies with UL810 for 10,000 amp fault current protection.

Mounting Hardware



Case Code	Capacitor Diameter	Bracket
PDA	1.18	PDUMS2445
PDB	1.58	PDUMS3245
PDC	1.77	PDUMS3245
PDD	1.97	PDUMS3245

Life vs. Temperature



High-Voltage
and
Motor Capacitors