

Type ULP, Ultra Low Profile Aluminum Electrolytic Capacitor, 85 °C

High Energy Density, REACH and RoHS Compliant

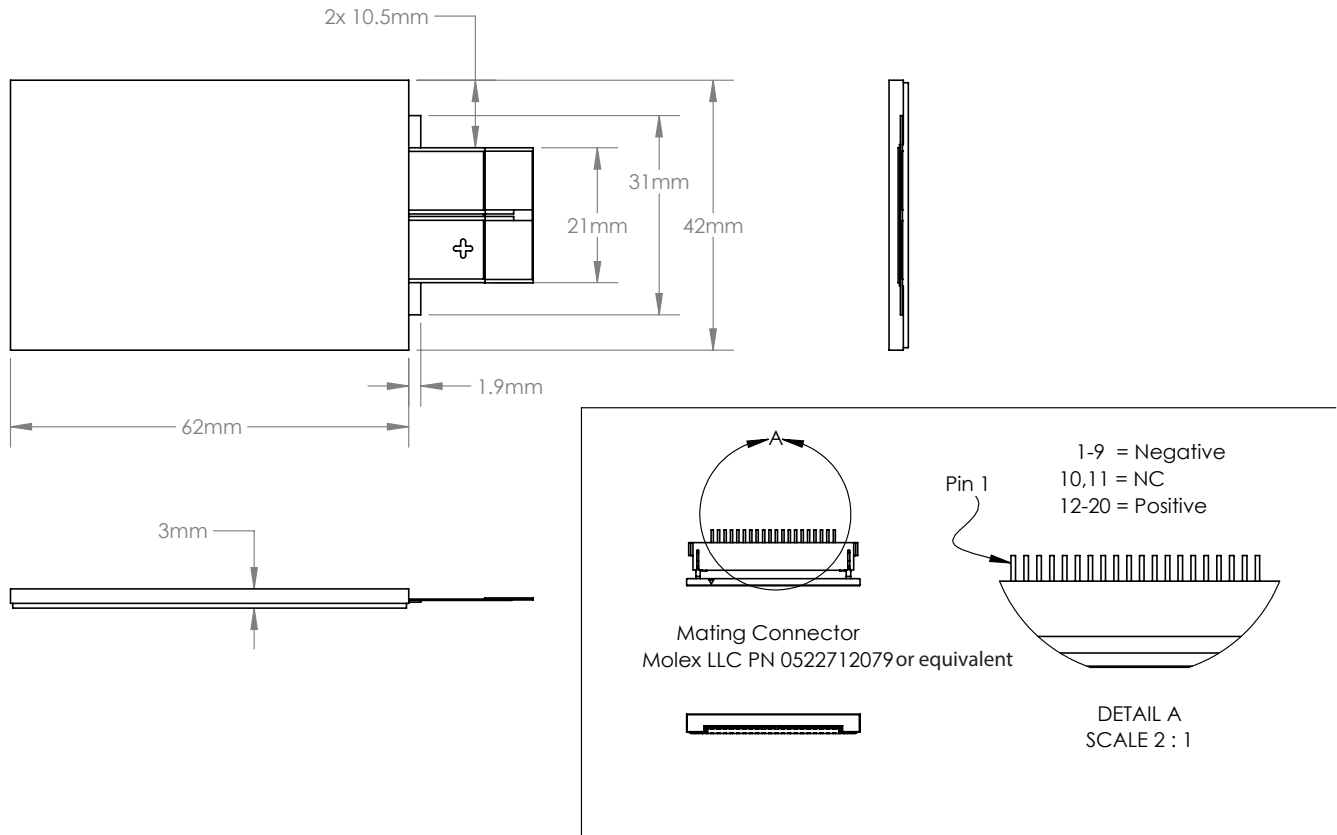


Available in a 2 mm and 3 mm thin package, type ULP offers the highest energy density available in an ultra-low profile aluminum electrolytic. It's ideal for the lowest profile circuits where high capacitance is needed for bulk storage. Save up to 70% board space compared to banks of SMT solid tantalum capacitors.

Highlights

- 2 mm or 3 mm thin package
- High energy density .4 J/cc
- 3000 hr life @ 85 °C with extensive testing
- 2000 hr life @ 105 °C pending completion of test
- REACH and RoHS compliant

Outline Drawing


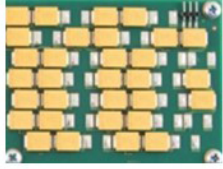
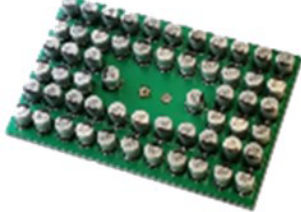



Ratings

Vdc	ULP (2mm)		ULP (3mm)	
	Cap (µF)	ESR @ 120Hz (mΩ)	Cap (µF)	ESR @ 120Hz (mΩ)
4	7,800	80	24,000	45
6.3	6,600	105	20,000	65
10	5,200	105	15,000	65
16	3,600	105	11,000	65
25	2,300	105	6,900	65
35	1,400	105	4,400	65
50	700	105	2,200	65
63	500	105	1,500	65

Type ULP, Ultra Low Profile Aluminum Electrolytic Capacitor, 85 °C
High Energy Density, REACH and RoHS Compliant

ULP vs. Ta Chips, V-Chips & Snap-in Comparisons

							
ULP (62 x 42 x 3)		Solid Tantalum Equivalent (D case) *		V Chip Equivalent		Snap-in Equivalent	
Capacitance	Rated Voltage	# of Solid Ta Chips	Cost Factor	# of [4 x 5.8]mm V-Chips	Cost Factor	# of [21 x 25]mm Snap-ins	Cost Factor
(µF)	(Vdc)						
24,000	4	34	4X ULP	--		--	
20,000	6.3	60	7X ULP	468	7.5X ULP	2	0.5X ULP
15,000	10	64	7.5X ULP	515	8.5X ULP	2	1.2X ULP
11,000	16	104	12X ULP	545	9X ULP	1	0.3X ULP
6,900	25	145	16X ULP	760	12.5X ULP	2	0.5X ULP
4,400	35	186	22X ULP	480	8X ULP	1	0.2X ULP
2,200	50	208	24X ULP	510	8X ULP	1	0.3X ULP
1,500	63	--		--		1	0.25X ULP

* Factors for derating at max rated temperature