

FPB

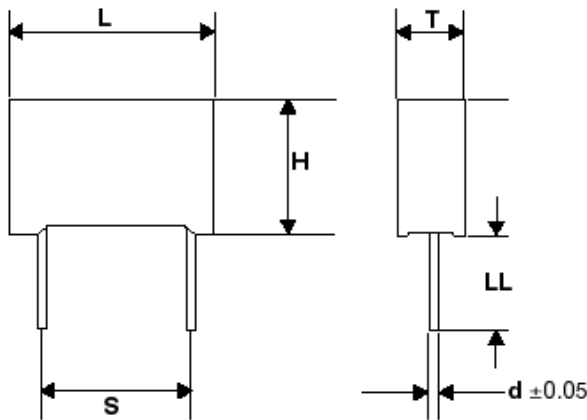
Boxed Impregnated polypropylene film with aluminum foil electrodes



- Impregnated polypropylene
- High dvdt
- Low self inductance
- Low ESR
- Noise suppression
- Electronic ballasts
- RC Networks

Operating Temperature Range		-25°C to +85°C			
Capacitance Tolerance		±10% at 1 kHz, 20°C ±5% optional			
AC voltage	VDC	630	1000	2000	
	VAC	415	660	1200	
Dissipation Factor Tan at 1 kHz and 20°C		.01% Max			
Insulation Resistance @20°C (<70C RH)for 1 minute at 500VDC applied		> 50000 MΩ			
Self Inductance		<1 nano-Henry per mm of lead spacing and length			
Dielectric Strength		Terminal to Terminal			
		250% of VDC applied for 2.5 Seconds and 20°C			
Construction		impregnated extended foil Polypropylene film			
Electrodes		Aluminum foil			
Coating		Solvent resistant plastic case with epoxy end fill			
Lead terminations		Lead free tinned copper leads			

Dimensions



L	13	18	26.5	32
S ± 0.5	10	15	22.5	27.5
d	0.6	0.8	0.8	0.8
LL (Min)	30	30	30	30



FPB

Boxed Impregnated polypropylene film with aluminum foil electrodes

WVDC (VAC) uF	630 (415)	1000 (660)	2000 (1200)
0.001	----->	13x11x5	18x12x6
0.0015	----->	13x11x5	18x12x6
0.0022	----->	13x11x5	18x12x6
0.0033	----->	13x11x5	18x12x6
0.0047	13x11x5	13x11x5	18x12x6
0.0068	13x11x5	13x11x5	26.5x16x7
0.01	13x11x5	13x12x6 18x12x6	26.5x16x7
0.015	13x12x6	18x12x6	26.5x17x8.5
0.022	18x12x6	18x12x6	26.5x20x11
0.033	18x13.5x7.5	18x13.5x7.5	
0.047	26.5x16x7	26.5x16x7	
0.068	26.5x17x8.5	26.5x17x8.5	
0.1	26.5x20x11	26.5x20x11	
0.15	32x20x11	32x20x11	
0.22	32x22x13	32x22x13	

Capacitance (uF)	WVDC	Part number	dv/dt (uS)	Dimensions LxHxT (mm)
0.001	1000	102FPB102K	6000	13x11x5
0.001	2000	102FPB202K	5000	18x12x6
0.0015	1000	152FPB102K	6000	13x11x5
0.0015	2000	152FPB202K	5000	18x12x6
0.0022	1000	222FPB102K	6000	13x11x5
0.0022	2000	222FPB202K	5000	18x12x6
0.0033	1000	332FPB102K	6000	13x11x5
0.0033	2000	332FPB202K	5000	18x12x6
0.0047	630	472FPB630K	6000	13x11x5
0.0047	1000	472FPB102K	6000	13x11x5
0.0047	2000	472FPB202K	5000	18x12x6
0.0068	630	682FPB630K	6000	13x11x5
0.0068	1000	682FPB102K	6000	13x11x5
0.0068	2000	682FPB202K	3000	26.5x16x7
0.01	630	103FPB630K	6000	13x11x5
0.01	1000	103FPB102K	6000	13x12x6
0.01	1000	103FPB102KE	5000	18x12x6
0.01	2000	103FPB202K	3000	26.5x16x7

Capacitance (uF)	WVDC	Part number	dv/dt (uS)	Dimensions LxHxT (mm)
0.015	630	153FPB630K	6000	13x12x6
0.015	1000	153FPB102K	5000	18x12x6
0.015	2000	153FPB202K	3000	26.5x17x8.5
0.022	630	223FPB630K	5000	18x12x6
0.022	1000	223FPB102K	5000	18x12x6
0.022	2000	223FPB202K	3000	26.5x20x11
0.033	630	333FPB630K	5000	18x13.5x7.5
0.033	1000	333FPB102K	5000	18x13.5x7.5
0.047	630	473FPB630K	3000	26.5x16x7
0.047	1000	473FPB102K	3000	26.5x16x7
0.068	630	683FPB630K	3000	26.5x17x8.5
0.068	1000	683FPB102K	3000	26.5x17x8.5
0.1	630	104FPB630K	3000	26.5x20x11
0.1	1000	104FPB102K	3000	26.5x20x11
0.15	630	154FPB630K	2000	32x20x11
0.15	1000	154FPB102K	2000	32x20x11
0.22	630	224FPB630K	2000	32x22x13
0.22	1000	224FPB102K	2000	32x22x13

