

CDE MXT, X2 Series, Across-the-Line EMI/RFI Suppression Capacitors for Harsh Environments



1,000-hour, 85°C /85% RH @ Vr



**CORNELL
DUBILIER**

CDE MXT, X2 Series, 85/85 THB-Rated Metallized Polypropylene Film Capacitors

MXT Series is CDE's lowest cost 85/85 THB-rated, board-mount capacitor for interference suppression.

- 1,000-hour load life based on 85 °C at 85% relative humidity with voltage applied
- 85/85 THB (Temperature, Humidity, Bias) rated, ideal for use in harsh environments
- Typically connected across the AC input to prevent interference from spreading through power lines or other devices on the same circuit



MXT, X2 Series Key Parameters

- Capacitance values range from 0.1 to 40 μF
- Voltage: 305 Vac @ 50/60Hz
- Meets IEC-60384
- UL Recognized
- RoHS compliant
- Life expectancy: 100,000 hours @ ≤ 85 °C hot spot, at rated voltage



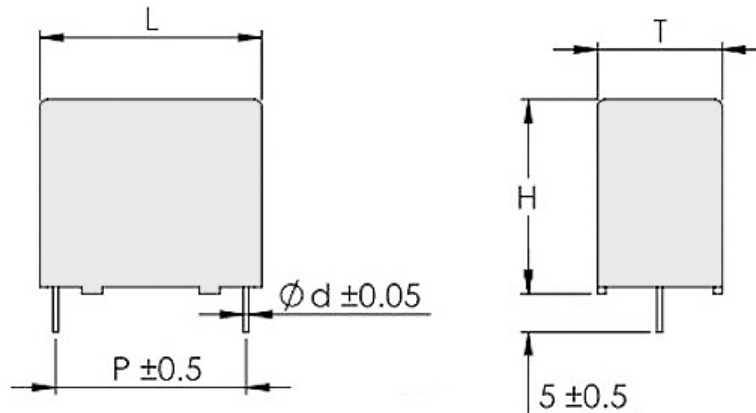
Effective EMI/RFI Filtering for Many Power Electronics Applications



- Class X2, Across-the-Line filters for use in harsh environmental conditions
- AMR (Automated Meter Readers), Class 1, 2, and 3 EV charging, OBC, solar micro-inverters, UPS, power supplies, industrial controls, and appliances

MXT Series Construction and Lead Configurations

- Lead Spacings of 15 mm to 52.5 mm
- Two-pin lead configurations
- Plastic case and dry resin both meet UL94V-0
- 5 mm lead length



Dimensions Shown in mm

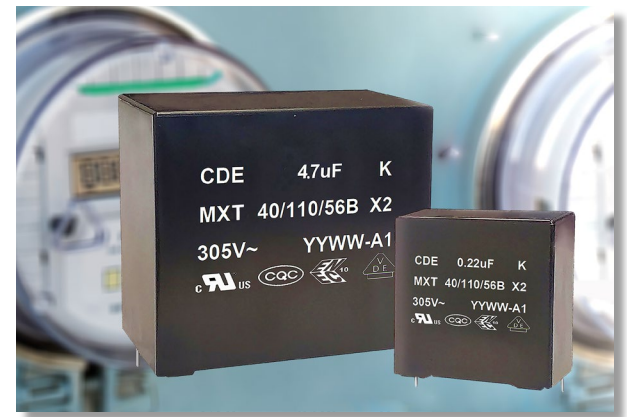
CDE MXT Series Specifications Brief



Capacitance Range	0.1 µF to 40 µF
Capacitance Tolerance	±10 % (±20% optional)
Rated Voltage	305 Vac, 630 Vdc
Operating Temperature Range	-40 °C to +110 °C (+85 °C to 110 °C, voltage derating factor of 1.35% per Deg. C)
Life Expectancy	100,000h at rated voltage and hot spot temperature ≤85 °C
Dissipation Factor	0.001 @ 1 kHz @ 20 °C
IEC Climatic Category	40/110/56 IEC60068-1
THB Rating	+85°C / 85% RH @ rated voltage for 1,000 hrs +24/-0 Capacitance Change Rate: ($\Delta C/C$): ≤±10% DF Change ($\Delta tg\delta$): ≤240*10 ⁻⁴ at 10 kHz (C ≤ 1µF) DF Change ($\Delta tg\delta$): ≤150*10 ⁻⁴ at 1 kHz (C > 1µF) IR: ≥ 50% of initial limit
Agency Approvals	UL: UL 60384-14, CSA-E60384-14 VDE: IEC 60384-14:2013, IEC 60384-14:2013/ AMD1:2016 CQC: IEC 60384-14,GB/T6346.14-2015

CDE MXT, X2 Series, 85/85 THB Rated Film Capacitor Summary

- Cost effective THB-rated EMI/RFI filter capacitors
- 1,000-hour load life based on 85 °C at 85% R.H @ rated voltage
- IEC-60384, RoHS
- Wide range of capacitance values
- Used in across-the-line applications for EMI/RFI suppression
- Utility meters, line filters, UPS, and other power supply applications



CDE MXT, X2 Series, 85/85, EMI/RFI Filter Capacitors.



For more information on the MXT please click [here](#)



**CORNELL
DUBILIER**

ENERGIZING IDEAS